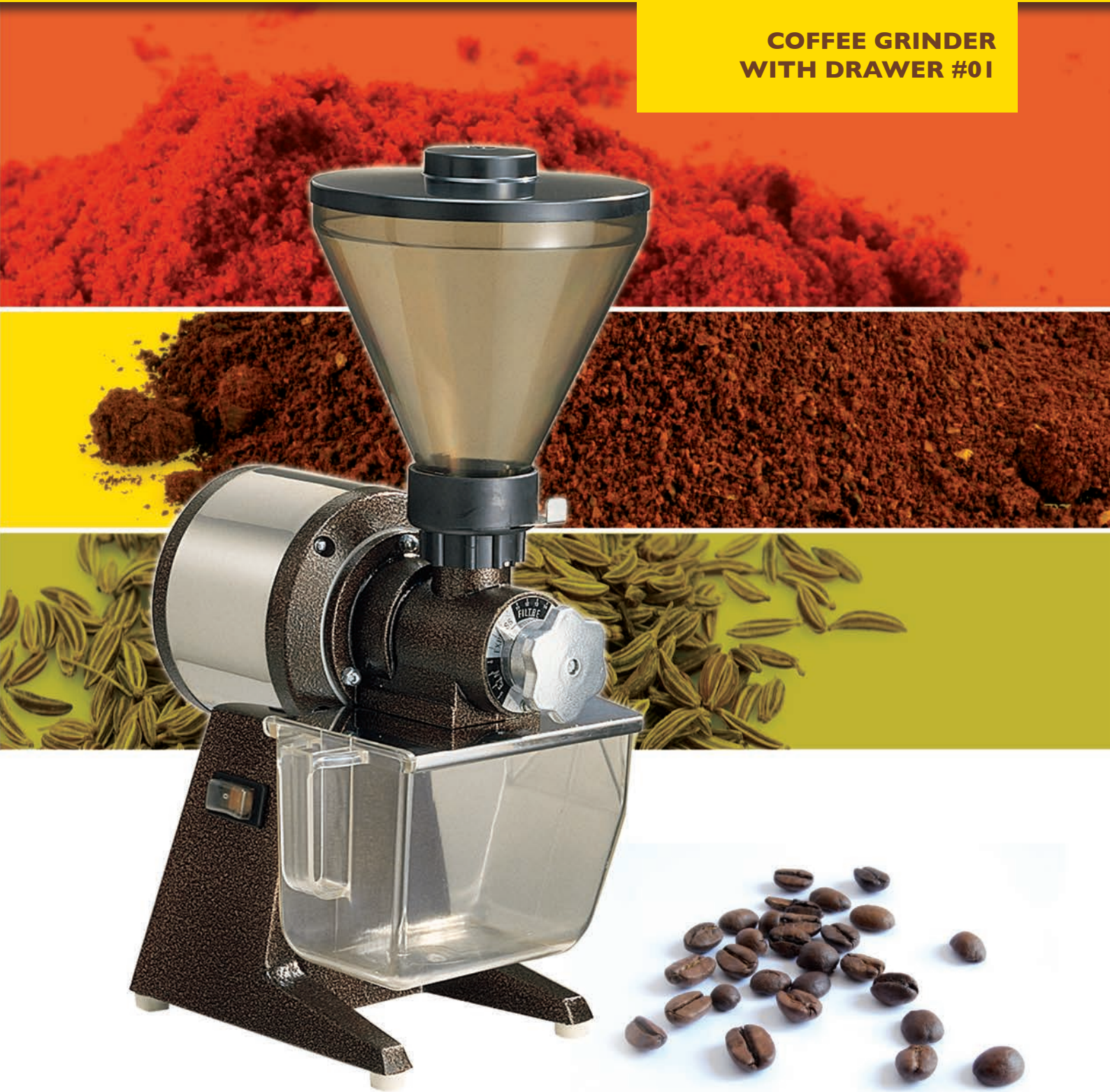




www.santos.fr

**COFFEE GRINDER
WITH DRAWER #01**



Internationally patented models

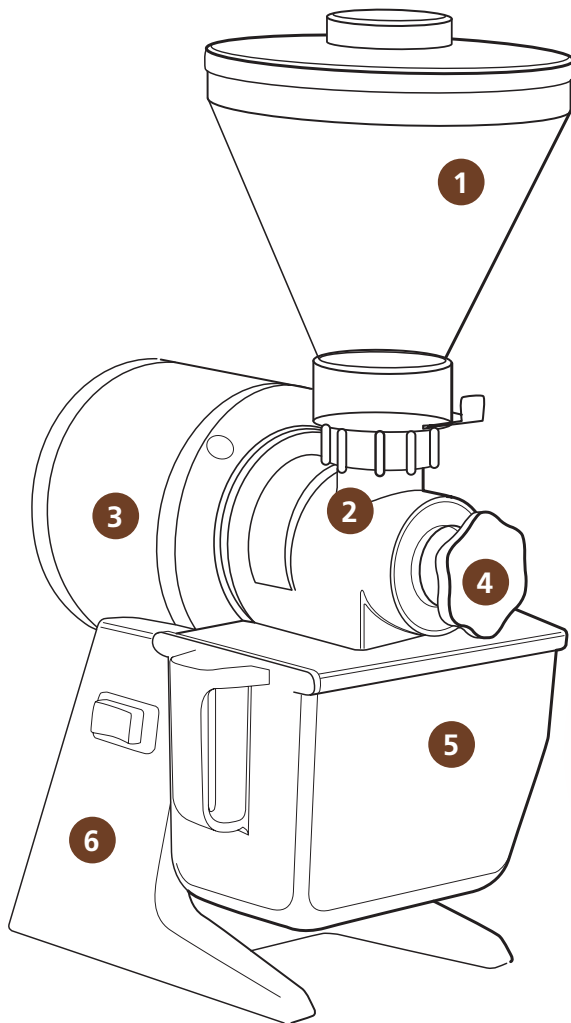




THE GENUINE COFFEE GRINDER SINCE 1954

Traditional sturdy and powerful shop coffee grinder for coffee and dry spices.

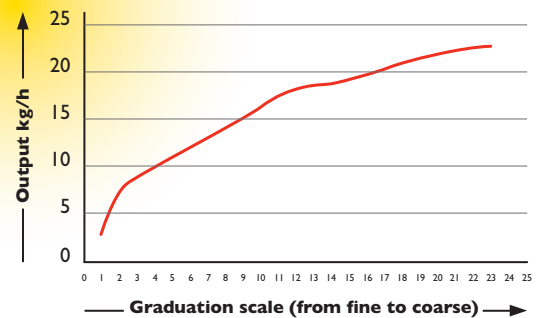
Easy to use and efficient, the coffee grinder #01 will give you a high quality grinding. Ideal for shops, supermarkets, coffee roasters, bakeries...



1. 1 kg (2.2 lbs) hopper
2. Ø 63.5 mm (2,5") grinding discs:
high resistance, long lasting
Designed and manufactured by Santos for a high quality grinding
3. **Powerful reliable commercial motor**
5-year warranty
4. **Precision grinding**, from very fine to coarse
Easy to adjust
5. **New special alimentary plastic drawer**
without bisphenol A Capacity 800 g (1.8 lbs)
6. Stainless steel and aluminium body



Output of the coffee grinder #01



+ COFFEE GRINDERS: SANTOS KNOW-HOW

Santos, 60 years experience

- Since 1954, we manufacture our own grinding discs for better results
- Santos is the leader in "Silent" coffee grinders for 15 years
- Constant and fine grinding, constant portion dispensed
- No "burn coffee" effect while grinding, no electrostatic coffee phenomenon
- Easy to adjust (grinding and dosing) and to maintain (changing the grinding discs is very easy)

COFFEE GRINDER WITH DRAWER #01



GRIND MORE THAN COFFEE...

www.santos.fr



Choose the appropriate version of the grinder #01 and grind all sorts of coffee and dry spices such as pepper, cinnamon, coriander or even poppy.

- Coffee grinder with drawer: reference 01
- Coffee grinder with bag holder: reference 01PS
- Pepper grinder with drawer: reference 01P
- Poppy grinder with drawer: reference 01PV



TECHNICAL SPECIFICATIONS



Motor

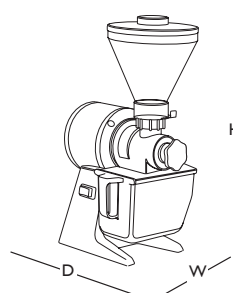
Single phase: 100-120V – 50/60 Hz – 650 W – CE
220-240V – 50/60 Hz – 600 W – CE

Speed: | 500 rpm (50 Hz)
| 800 rpm (60 Hz)



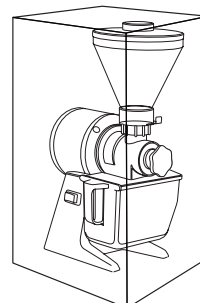
Weight

Net: 14Kg (31 lbs)
Shipping: 15 Kg (33 lbs)



APPLIANCE

D: 320mm (13")
W: 250mm (10")
H: 550mm (22")



SHIPPING BOX

D: 410mm (16")
W: 300mm (12")
H: 575mm (23")

SAFETY, STANDARDS, HYGIENE

In accordance with the following regulations

Machinery directive 2006/42/EC
Electromagnetic compatibility 2004/108/EC
"Low voltage" Directive 2006/95/EC
Regulation 1935/2004/EC (contact with food)
RoHS directive 2002/95/EC

Harmonized European Standards

EN ISO 12100 - 1 and 2:2004
EN 60204-1:2006
EN 60335-2-64 : 2004 Commercial electric kitchen machines
CE (European standards)

Thermal Safety

Motor protected by internal thermal detector

Acoustic Safety

Very silent and powerful asynchronous motor

Hygiene

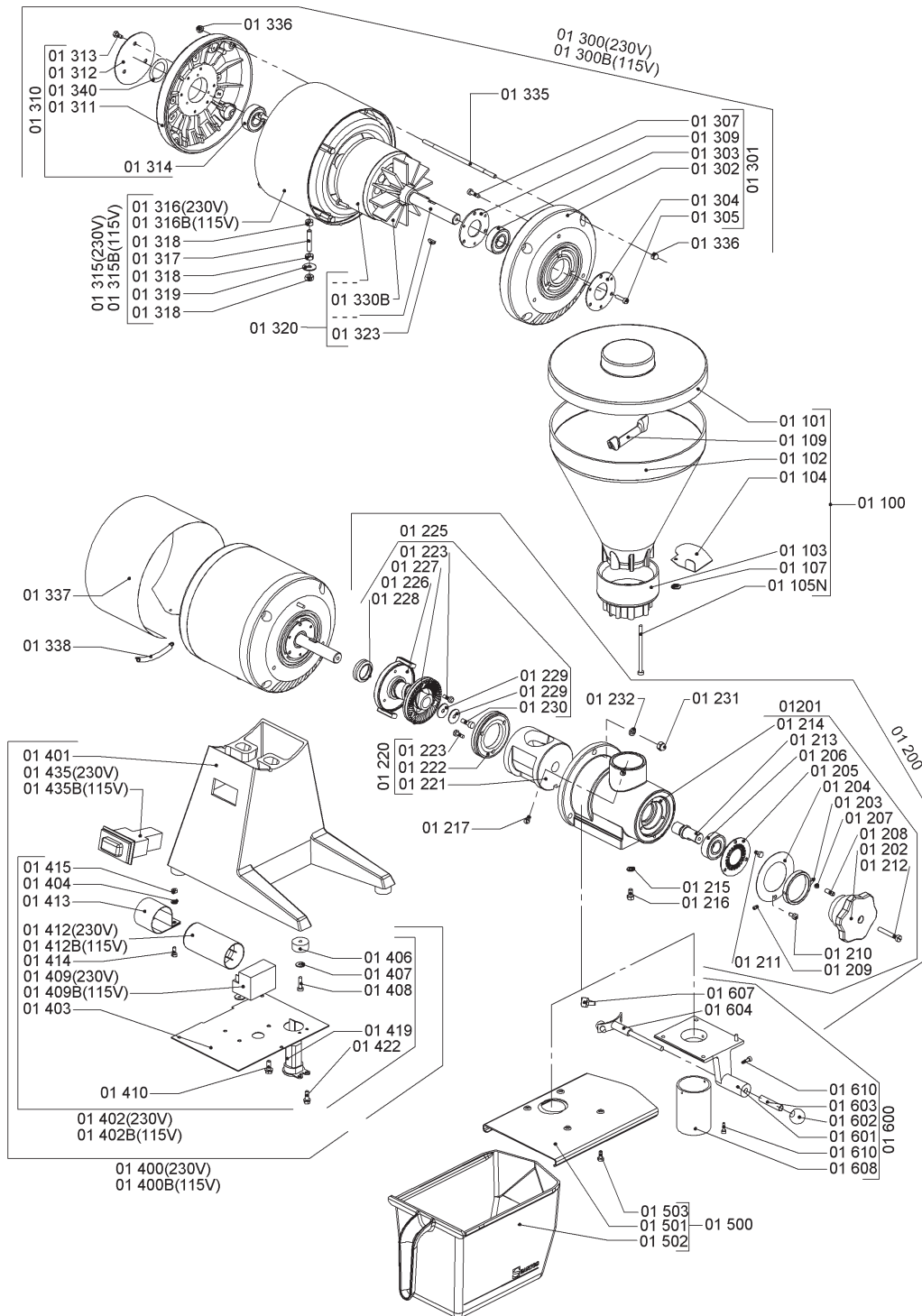
All removable parts can be put in a dishwasher or easily cleaned with hot soapy water.

PRODUCT: 2-YEAR WARRANTY – MOTOR: 5-YEAR WARRANTY



COFFEE GRINDER WITH DRAWER #01

www.santos.fr



140-150 AV ROGER SALENGRO – 69120 – VAULX ENVELIN – LYON – FRANCE – TEL. +33 472 37 35 29 – FAX. +33 478 26 58 21
Website: www.santos.fr – E-mail: santos@santos.fr