



# ELECTRIC PROFESSIONAL SLICERS

S.R.L

VIA GIOVANNI XXIII, 11 — 22072 CERMENATE (COMO) ITALY — TEL.: +39 031 722 819 — FAX: +39 031 722 825

www.rgv.it — E-mail: info@rgv.it

E-mail USA e CANADA: ferzuc@yahoo.com — E-mail ARGENTINA: expoezeq@arnet.com.ar

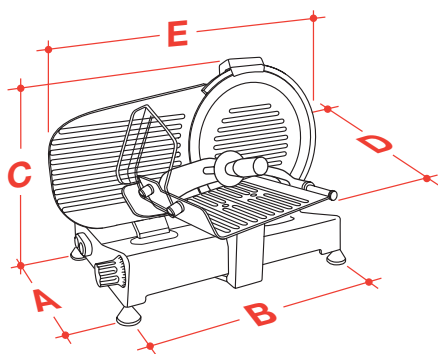


## SERIE **LUSO**

### Mod. **275/S**

## TECHNICAL CHARACTERISTICS

- Cast aluminium structure **lacquered base** ● Tempered professional blade
- Blade cover, tray and bulkhead: in anodized aluminium ● Fixed blade protection ring
- Shaft holding the blade mounted on a double ball-bearing ● Protection on the tray in transparent material
- Professional ventilated motor 230V - 50Hz ● Slicing thickness up to 14 ÷ 16 mm
- Different voltage by request ●



<b>A mm</b>	263
<b>B mm</b>	415
<b>C mm</b>	375
<b>D mm</b>	410
<b>E mm</b>	505

Blade diameter (Ø)	<b>mm</b>	275
Motor power	<b>Watt</b>	150
Capacity of cutting about	<b>mm</b>	230 x 190
Carriage stroke	<b>mm</b>	255
Gross weight	<b>kg</b>	16,5
Packing dimensions	<b>cm</b>	49 x 55 x 45
	<b>m³</b>	0,12