



ELECTRIC PROFESSIONAL SLICERS

S.R.L.

VIA GIOVANNI XXIII, 11 — 22072 CERMENATE (COMO) ITALY — TEL.: +39 031 722 819 — FAX: +39 031 722 825

www.rgv.it — E-mail: info@rgv.it

E-mail USA e CANADA: ferzuc@yahoo.com — E-mail ARGENTINA: expoezeq@arnet.com.ar

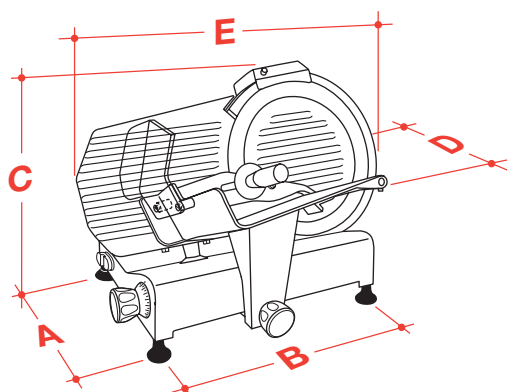


SERIE DOLLY

Mod. 300/S

TECHNICAL CHARACTERISTICS

- Cast aluminium structure **anodized base** ● Tempered professional blade
- Blade cover, tray and bulkhead: in anodized aluminium ● Fixed blade protection ring
- Shaft holding the blade mounted on a double ball-bearing ● Protection on the tray in transparent material
- Professional ventilated motor 230V - 50Hz ● Slicing thickness up to 14 ÷ 16 mm
- Different voltage by request ●



A mm	315
B mm	455
C mm	420
D mm	480
E mm	570

Blade diameter (Ø)	mm	300
Motor power	Watt	230
Capacity of cutting about	mm	245 x 220
Carriage stroke	mm	270
Gross weight	kg	24
Packing dimensions	cm	53 x 63 x 48
	m ³	0,16