



ELECTRIC PROFESSIONAL SLICERS

S.R.L

VIA GIOVANNI XXIII, 11 — 22072 CERMENATE (COMO) ITALY — TEL.: +39 031 722 819 — FAX: +39 031 722 825

www.rgv.it — E-mail: info@rgv.it

E-mail USA e CANADA: ferzuc@yahoo.com — E-mail ARGENTINA: expoezeq@arnet.com.ar



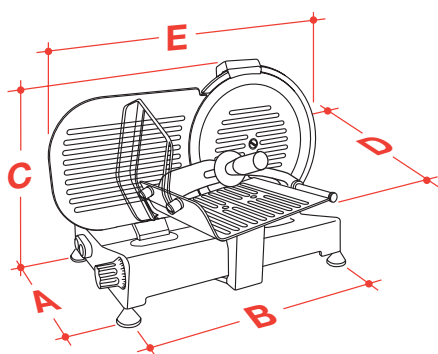
SERIE **LUSO**

Mod. **22 GS**

Mod. **25 GS**

TECHNICAL CHARACTERISTICS

- Cast aluminium structure **lacquered base** ● Tempered professional blade
- Blade cover, tray and bulkhead: in anodized aluminium ● Fixed blade protection ring
- Shaft holding the blade mounted on a double ball-bearing ● Protection on the tray in transparent material
- Professional ventilated motor 230V - 50Hz ● Slicing thickness up to 14 ÷ 16 mm
- Different voltage by request ●



MOD.	22 GS	25 GS	
A mm	263	263	
B mm	415	415	
C mm	335	365	
D mm	363	363	
E mm	448	480	
Blade diameter (Ø)	mm	220	250
Motor power	Watt	140	140
Capacity of cutting about	mm	230 x 165	230 x 185
Carriage stroke	mm	255	255
Gross weight	kg	13	14
Packing dimensions	cm	48 x 53 x 39	48 x 53 x 39
	m ³	0,1	0,1