

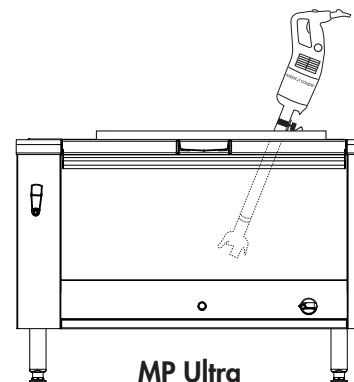
# MP 450 Ultra Combi



EasyPlug



▶ Specially designed for intensive use in commercial/institutional catering



MP Ultra

D

Pan capacity

up to 100 litres

## A SALES DESCRIPTION

Ideal for blending soups and puréeing fruit and vegetables. Special institutional catering model intended for intensive use. In its Combi version, the whisk function can be used for mashed potato and pancake batter.

## B TECHNICAL DESCRIPTION

MP 450 Ultra Combi immersion blender. Single phase. Power: 500 W. Variable speed: 1,500 - 9,000 rpm (blender function) and 250 - 1,500 rpm (whisk function). 100% stainless-steel blades, bell and tube (total length: 450 mm). "EasyPlug" system with detachable power cord

## C TECHNICAL DATA

<b>Output power</b>	500 W	
<b>Electrical datas</b>	Single phase - Plug supplied	
<b>Variable speed</b>	1,500 - 9,000 rpm (blender function) 250 - 1,500 rpm (whisk function)	
<b>Rate of recyclability</b>	95%	
<b>Net weight</b>	6.1 kg	
	<b>Supply</b>	<b>Amperage</b>
	220-240/50-60/1	2.3 Amp
	240V/50/1 UK plug	2.3 Amp
	120V/60/1	4.5 Amp
	220V/60/1 SAU*	2.3 Amp
		<b>Reference</b>
		34870L
		34871L
		34875L
		34878L

\*For commercial use only

## STANDARDS

EN 12100-1 & 2-2004, EN 60204-1-2006, EN 12853, EN 60529-2000 : IP55 & IP34



## E CHARACTERISTICS AND BENEFITS

### MOTOR UNIT

- Power 500 W
- Stainless-steel motor unit with air vents in the top section only to ensure watertightness
- Lug on motor housing serves as a rest and pivot on the pan rim for greater user comfort
- Variable speed 1,500 - 9,000 rpm (blender function) and 250 - 1,500 rpm (whisk function)
- Self-regulating speed system
- New patented "EasyPlug" system making it easier to replace the power cord during after-sales servicing
- Cord winding system for tidy storage and optimum lifespan

### TUBE AND BELL

- 100% stainless-steel blades, bell and tube (total length: 450 mm)
- Foot with detachable bell and blades (patented system exclusive to Robot-Coupe)
- Watertight bell design for optimum lifespan
- Even sturdier all-metal housing for whisk attachment to cope with very thick mixtures

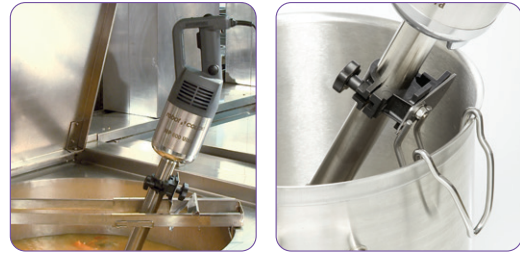
### STANDARD ATTACHMENTS

- Wall-mounted immersion blender holder
- Tool for fixing and detaching the blades

# MP 450 Ultra Combi

**F** OPTIONAL ATTACHMENTS

- 3 adjustable stainless-steel pan supports:
  - Ref. 27363 – for pans with a diameter of 330 650 mm
  - Ref. 27364 – for pans with a diameter of 500 1000 mm
  - Ref. 27365 – for pans with a diameter of 850 1300 mm
- 1 universal pan support:
  - Ref. 27358 – screws onto pan rim



**G** DRAWINGS & DIMENSIONS

Power cord and plug supplied

