

HIGH OUTPUT CITRUS JUICER #52



Internationally
patented models



A powerful and sturdy citrus juicer

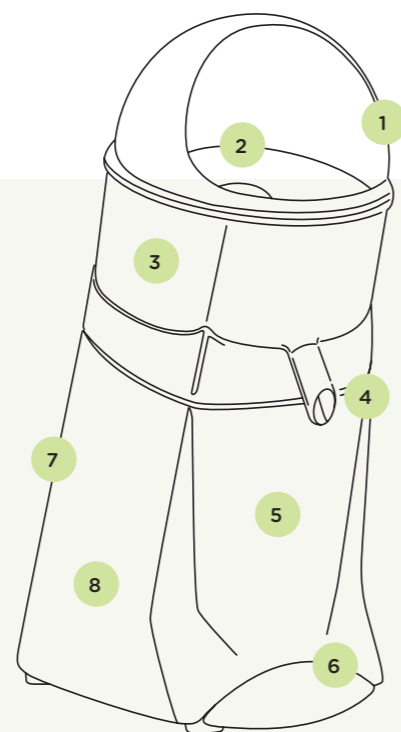
Equipped with a robust and silent asynchronous motor, this professional citrus juicer is adapted to intensive use.

Thanks to its 3 removable squeezers, it extracts the juice from all types of citrus, such as lemons, oranges and grapefruits.

Its high spout accepts all types of glasses and pitchers, which makes it a must-have for juice bars and restaurants.



40l/h



- 1 Anti splash dome
- 2 3 removable squeezers
- 3 Stainless steel removable bowl
- 4 Wide spout: Height 212mm
- 5 Aluminium body
- 6 Rubber front base
- 7 Inclined body
- 8 Heavy duty and quiet asynchronous motor

The professional art of juicing since 1954

We have the juicer adapted to your needs, to make juice by the glass or in a jug.

Equipped with professional, robust and powerful motors, they are designed to quickly press all types of citrus.

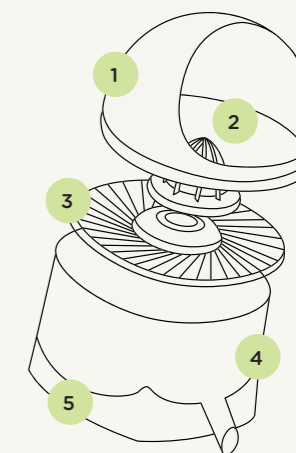
They are very easy to clean: all parts in contact with food are removable.



Easy to use and clean

All parts in contact with fruits are removable, which allows a simple and quick cleaning.

- 1 Anti splash dome
- 2 Squeezer
- 3 Stainless steel grid
- 4 Stainless steel bowl
- 5 Vibration absorbing rubber bowl sustainer



Delivered with 3 squeezers for: limes, lemons, oranges and grapefruits.



Safety, standards, hygiene

In accordance with the following regulations

- Machinery directive 2006 / 42 / EC
- Electromagnetic compatibility 2014 / 30 / EU
- "Low voltage" directive 2014 / 35 / EU
- RoHS directive 2011 / 65 / EU
- Regulation 1935 / 2004 / EC (contact with food)
- WEEE Directive 2012/19/EU

Harmonized European Standards

- EN 1672-2+A1: 2009
- EN ISO 12100: 2010
- EN 60204-1+A1: 2009
- EN 60335-2-64:2004 Commercial electric kitchen machines
- CE Marking, UL (USA), cUL (Canada), NSF (USA)

Electrical safety

- On/Off interlock switch is waterproof
- All mechanical parts are ground connected
- Appliances are 100% tested after assembly

Thermal safety

- Motor protected by internal thermal detector and overload protector

Acoustic Safety

- Silent asynchronous motor

Hygiene

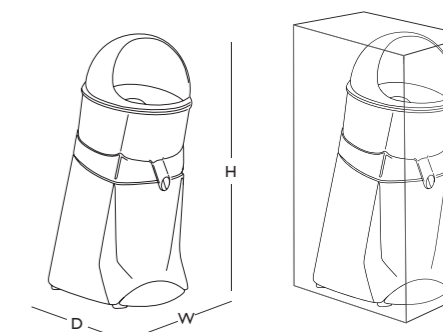
- All removable parts can be put in a dishwasher or easily cleaned with hot soapy water

Technical specifications

Motor

Single phase:
220-240 V - 50/60 Hz - 230 W - CE, KC, RoHS
100-120 V - 50/60 Hz - 260 W - CE, NSF, UL, RoHS

Speed:
1 500 rpm (50 Hz)
1 800 rpm (60 Hz)



Appliance
D: 305 mm (12")
W: 205 mm (8")
H: 490 mm (19")

Shipping box
D: 300 mm (9,8")
W: 250 mm (11,8")
H: 590 mm (23")

Net weight: 10 Kg (20 lbs)
Packed weight: 10,5 Kg (22 lbs)

PRODUCT: 2-YEAR WARRANTY | **MOTOR:** 5-YEAR WARRANTY

SANTOS
High Output Citrus Juicer #52
From date: 04/2020
From serial number: 1136446

