

**COFFEE GRINDER WITH DRAWER #01**



Internationally  
patented models



# Traditional grinder for coffee and dry spices

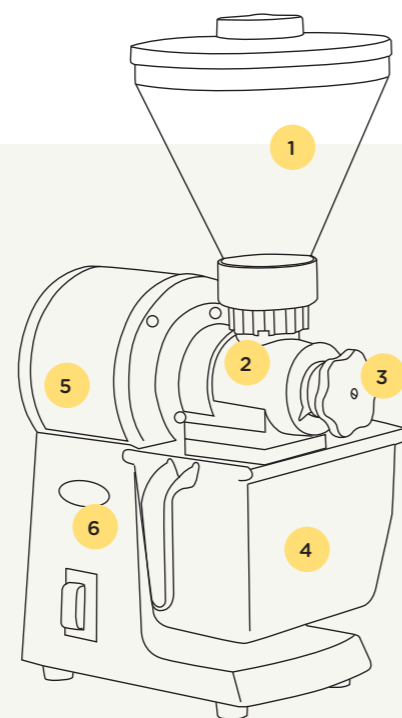
Efficient and easy to use, this shop coffee grinder guarantees a high quality grinding.

It has an adjusting button to select the grinding size: from very fine to coarse.

It is therefore ideal for roasters, coffee shops, organic and zero waste grocery stores, delicatessens, etc.

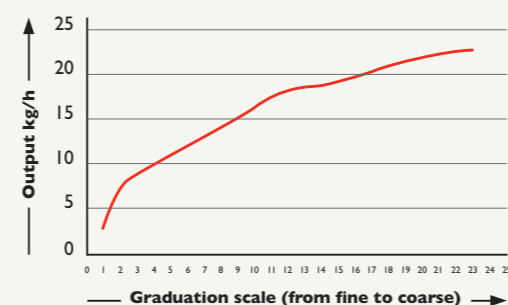


14 kg/h



- |  |   |
|--|---|
| <b>1</b> 1 kg (2.2lbs) hopper  | <b>4</b> Alimentary plastic drawer without bisphenol A<br>Capacity: 800g (1.8lbs) |
| <b>2</b> Ø 63.5mm (2,5") grinding discs: high resistance.<br>Designed and manufactured by Santos | <b>5</b> Powerful reliable commercial motor                                       |
| <b>3</b> Precision grinding from very fine to coarse.<br>Easy to adjust                          | <b>6</b> Stainless steel and aluminium body                                       |

## Output of the coffee grinder #01



### Santos know-how

- Since 1954, Santos manufactures its own grinding discs for a high quality grinding
- Specialist of silent grinders
- Dose regularity
- Not burning coffee while grinding
- Anti-static system
- Easy adjustment and maintenance

65 YEARS  
experience



## Quality grinding

**Easily adjustable grinding settings:** precise setting of the grinding fineness for all types of filtration.

**Santos manufactures its own grinding discs since 1954** to give you a perfect grinding, constant and fine.

## Choose the version adapted to your needs

You have the possibility to grind all kinds of coffees and dry spices such as pepper, cardamom, coriander or poppy seeds.

- Ref. 01 = Coffee grinder with drawer**
- Ref. 01PS = Coffee grinder with bag holder**
- Ref. 01P = Pepper and dry spices grinder, with drawer**
- Ref. 01PV = Poppy grinder with drawer**

## Safety, standards, Hygiene

**In accordance with the following regulations**

- Machinery directive 2006 / 42 / EC
- Electromagnetic compatibility 2014 / 30 / EU
- "Low voltage" directive 2014 / 35 / EU

- RoHS directive 2011 / 65 / EU
- Regulation 1935 / 2004 / EC (contact with food)
- Regulation 10 / 2011 / EU (plastic in contact with food)

**Harmonized European Standards**

- EN ISO 12100: 2010
- EN 60204-1 + A1: 2009
- EN 60335-2-64: 2004 Commercial electric kitchen machines
- CE Marking

**Thermal safety** Motor protected by internal thermal detector

**Acoustic safety** Very silent and powerful asynchronous motor

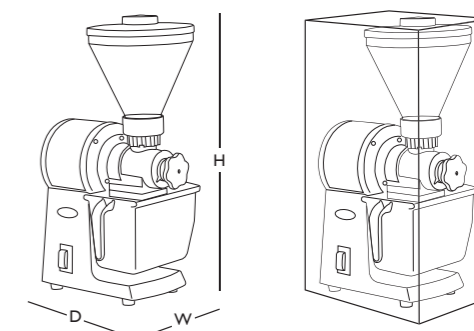
**Hygiene** All removable parts can be put in a dishwasher or easily cleaned with hot soapy water

## Technical specifications

### Motor

Single phase:  
220-240 V - 50/60 Hz - 600 W - CE  
100-120 V - 50/60 Hz - 650 W - CE

Speed:  
1500 rpm (50 Hz)  
1800 rpm (60 Hz)



### Appliance

D: 320 mm (13")  
W: 250 mm (10")  
H: 550 mm (22")  
Net weight:  
15 Kg (33 lbs)

### Shipping box

D: 410 mm (16")  
W: 300 mm (12")  
H: 575 mm (23")  
Packed weight:  
16,5 Kg (36 lbs)

**PRODUCT: 2 YEAR WARRANTY | MOTOR: 5 YEARS**

