

Client _____ Quantity _____
 Project _____ Position _____



Function proofer

Function proofer Electric 16 trays EN 600x400 - GN 1/1

Model: LM16T64

Cod: NP01087523002

Technical data

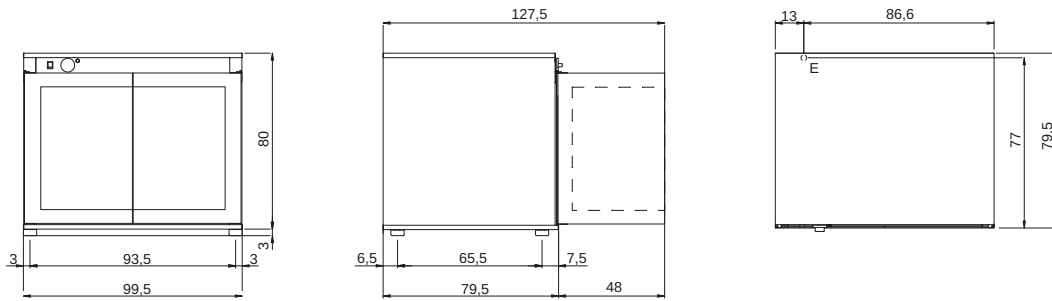
Number of pans:	16
Pans size (mm):	EN 600x400 - GN 1/1
Tray centre distance (mm):	75
Dimensions (mm):	995 x 811 x 830
Net weight (Kg):	69
Volume (m3):	0,670
Electric power (kW):	2
Voltage (V):	220-240
Power supply (A):	9,5
Phases:	1N
Cable section (mmq):	3G1,5
Frequency (Hz):	50-60
Packing dimensions (mm):	1035 x 855 x 986
Gross weight (Kg):	78
Gross volume (m3):	0,873

Features

Steam:	Direct
Temperature range:	20°C-60°C

Cosmo:

Technical draw



E: Electric connection