

Client _____ Quantity _____
 Project _____ Position _____

Pratika Kompact oven

Pratika Kompact oven Electric combined programmable 6 trays
 GN 2/3

Model: FDEK0623PWA

Cod: NP01063021007



Technical data

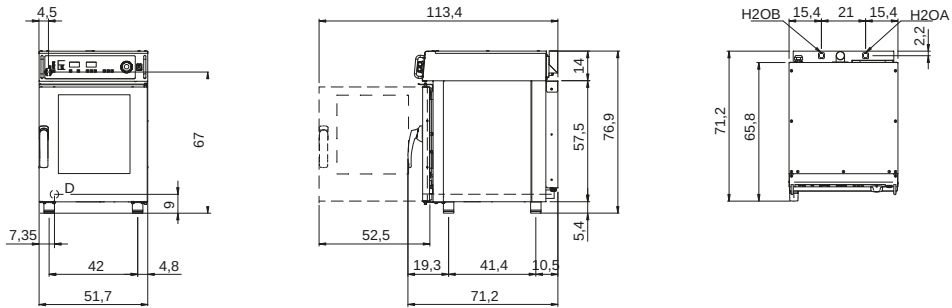
Number of pans:	6
Pans size (mm):	GN 2/3
Tray centre distance (mm):	60
Number of fans:	1
Fan speed:	2
Dimensions (mm):	517 x 715 x 770
Net weight (Kg):	68
Volume (m3):	0,2834
Chamber size (mm):	380 x 373 x 380
Electric power (kW):	6,4
Voltage (V):	380-415
Power supply (A):	11
Phases:	3N
Cable section (mmq):	5G1,5
Frequency (Hz):	50-60
Cold water connection:	3/4"
Cold water pressure (bar):	Max 5 bar

Features

Oven type:	Combi
Control:	Programmable
Functions:	Convection cooking, steam, mixed cooking, multilevel, phases cooking, core probe and Delta T cooking
Washing:	Di serie - Circuito aperto
Detergent:	Liquido
Steam:	Direct
Steam management:	Time management
Temperature range:	30°C - 280°C
Door:	Hinged door
Range timer:	1'-240'
Flue:	Automatic
Recipes:	Standard

Cosmo:

Technical draw



E: Electric connection

D: Drain for water

H2OA: Water inlet

H2OB: Softened water inlet