

Client \_\_\_\_\_ Quantity \_\_\_\_\_  
 Project \_\_\_\_\_ Position \_\_\_\_\_

## Pratika Kompact oven

Pratika Kompact oven Electric combined programmable 6 trays  
 GN 2/3

**Model:** FDEK0623P

**Cod:** NP01063021005



### Technical data

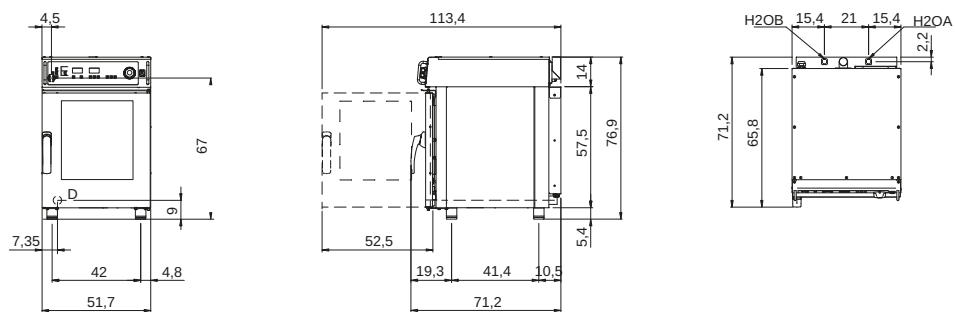
Number of pans:	6
Pans size (mm):	GN 2/3
Tray centre distance (mm):	60
Number of fans:	1
Fan speed:	2
Dimensions (mm):	517 x 715 x 770
Net weight (Kg):	63
Volume (m3):	0,2834
Chamber size (mm):	380 x 373 x 380
Electric power (kW):	6,4
Voltage (V):	380-415
Power supply (A):	11
Phases:	3N
Cable section (mmq):	5G1,5
Frequency (Hz):	50-60
Cold water connection:	3/4"
Cold water pressure (bar):	Max 5 bar

### Features

Oven type:	Combi
Control:	Programmable
Functions:	Convection cooking, steam, mixed cooking, multilevel, phases cooking, core probe and Delta T cooking
Steam:	Direct
Steam management:	Time management
Temperature range:	30°C - 280°C
Door:	Hinged door
Range timer:	1'-240'
Flue:	Automatic
Recipes:	Standard

**Cosmo:**

## Technical draw



**E:** Electric connection

**D:** Drain for water

**H2OA:** Water inlet

**H2OB:** Softened water inlet