

Client _____ Quantity _____
 Project _____ Position _____



Pratika Kompact oven

Pratika Kompact oven Electric combined programmable 6 trays
 GN 1/1

Model: FDEK061PWA

Cod: NP01063021003

Technical data

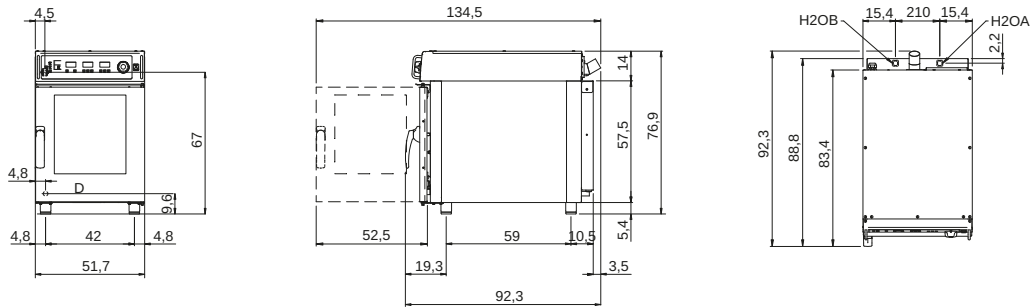
Number of pans:	6
Pans size (mm):	GN 1/1
Tray centre distance (mm):	60
Number of fans:	1
Fan speed:	2
Dimensions (mm):	517 x 925 x 770
Net weight (Kg):	78
Volume (m3):	0,3682
Chamber size (mm):	380 x 549 x 380
Electric power (kW):	7,9
Voltage (V):	380-415
Power supply (A):	13,5
Phases:	3N
Cable section (mmq):	5G1,5
Frequency (Hz):	50-60
Cold water connection:	3/4"
Cold water pressure (bar):	Max 5 bar

Features

Oven type:	Combi
Control:	Programmable
Functions:	Convection cooking, steam, mixed cooking, multilevel, phases cooking, core probe and Delta T cooking
Washing:	Di serie - Circuito aperto
Detergent:	Liquido
Steam:	Direct
Steam management:	Time management
Temperature range:	30°C - 280°C
Door:	Hinged door
Range timer:	1'-240'
Flue:	Automatic
Recipes:	Standard

Cosmo:

Technical draw



E: Electric connection

D: Drain for water

H2OA: Water inlet

H2OB: Softened water inlet