

Client \_\_\_\_\_ Quantity \_\_\_\_\_  
 Project \_\_\_\_\_ Position \_\_\_\_\_

## Pratika oven

Pratika oven Gas combi touch screen 10 trays EN 600x400 - GN 1/1

**Model:** FDG101TV

**Cod:** NP01102033005



## Technical data

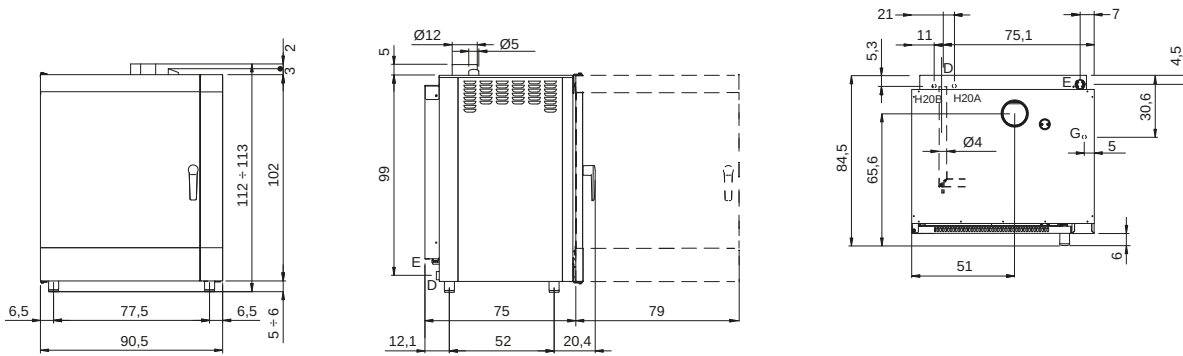
Number of pans:	10
Pans size (mm):	EN 600x400 - GN 1/1
Tray centre distance (mm):	74
Number of fans:	2
Fan speed:	2
Dimensions (mm):	905 x 845 x 1130
Net weight (Kg):	140
Volume (m3):	0,865
Chamber size (mm):	645 x 449 x 800
Electric power (kW):	0,8
Voltage (V):	220-240
Power supply (A):	3,5
Phases:	1N
Cable section (mmq):	3G1,5
Frequency (Hz):	50
Gas power (kW):	19
Total gas power (Kcal/h):	16337

## Features

Oven type:	Combi
Control:	Touch screen
Touch screen:	5"
Cooling:	Funzione raffreddamento camera rapido
Probe:	Standard - one single point core probe
Washing:	Di serie - Circuito aperto
Detergent:	Liquido
Steam:	Direct
Steam management:	Automatic
Temperature range:	30°C - 280°C
Door:	Hinged door
Flue:	Automatic
Recipes:	Standard

## Cosmo:

## Technical draw



**G:** Gas connection

**E:** Electric connection

**D:** Drain for water

**H2O** Water inlet

**H2O** Softened water inlet