

Client _____ Quantity _____
 Project _____ Position _____



Qubi oven

Qubi oven Gas Combi-Oven 10 trays GN 1/1

Model: QUBI10G

Cod: NP01104031000

Technical data

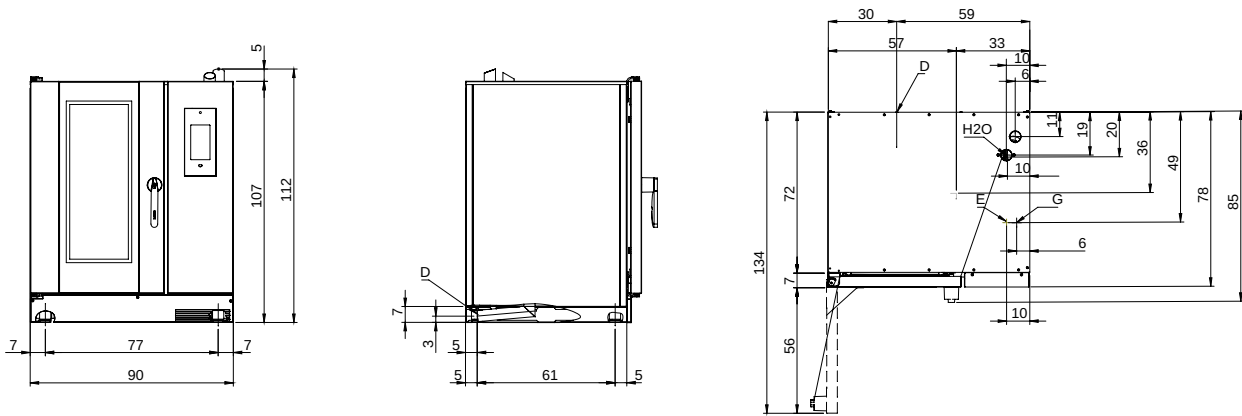
Number of pans:	10
Pans size (mm):	GN 1/1
Tray centre distance (mm):	70
Number of fans:	1
Fan speed:	17
Dimensions (mm):	900 x 850 x 1120
Net weight (Kg):	169
Volume (m3):	0,857
Chamber size (mm):	410 x 680 x 750
Electric power (kW):	3
Voltage (V):	220-240
Power supply (A):	13
Phases:	1N
Cable section (mmq):	5G1,5
Frequency (Hz):	50-60
Gas power (kW):	20
Total gas power (Kcal/h):	17200

Cosmo: "Nice kitchens use
 Cosmo, the
 innovative wi-fi

Features

Oven type:	Combi
Control:	Touch screen
Touch screen:	7"
Functions:	Cottura Dry, vapore, mista, mantenimento, essiccazione, multilivello, cottura lenta, cottura delta T, finishing, rigenerazione, pastorizzazione
Cooling:	Funzione raffreddamento camera rapido
Probe:	Standard - multipoint core probe
Washing:	Di serie - Circuito chiuso
Detergent:	Monodose liquida
Steam:	Direct + indirect
Steam management:	Double Steam Balance
Boiler:	Standard
Temperature range:	30°C - 300°C
Door:	Hinged door
Range timer:	1'-24h
Flue:	Automatic
Recipes:	Standard
Wifi connection:	Standard

Technical draw



G: Gas connection

E: Electric connection

D: Drain for water