

MINIMATIC Mini



TECHNICAL FEATURES

Fruits per minute 15

Feeder capacity 8 Kg / 17,6 Lbs - Automatic

Fruit diameter 65-80 mm / 2,56-3,15 "

Waste bin capacity In the stand

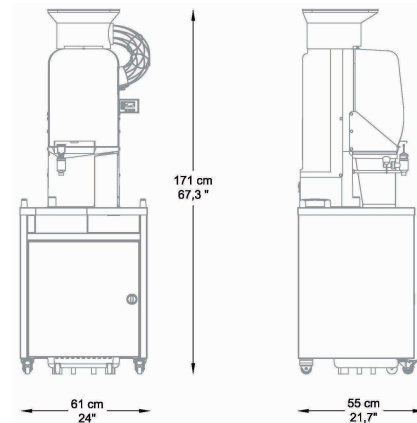
Voltage 230 V - 50/60 Hz Energy consumption 3,7 / 4,1 A
115 V - 60 Hz 8,1 A

Power 550 W - 0,75 Hp

Protection Security and locking detectors. IPx4

RECOMMENDED CONSUMPTION Moderate / Medium

COLORS



Weight 91 Kg
200 Lbs



+ Stainless steel self-tap

Mini Stand



Support specially designed for self-service mode and moderate to medium consumption. The cabinet is equipped with a big waste bin for the peels.

Waste bin capacity 50 Kg / 110 Lbs / 300 squeezed oranges approx.