



## VULCANO 2/1 INFRA

SKU: 03600VU2RED

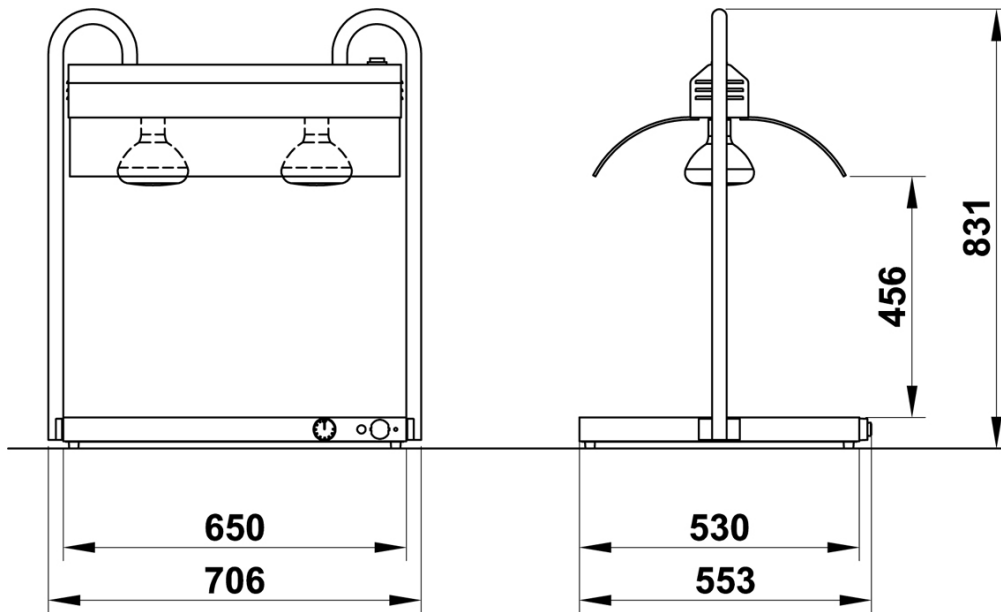
AISI 304 Stainless steel warming plate completed with infrared lamps stand. Dry-heating with heating elements placed underneath the shelf, temperature controlled by mechanical thermostat ( 30°/ 90°C) with indicator light. Infrared lamps with independent lighting switch.

**GN**

2 GN 1/1



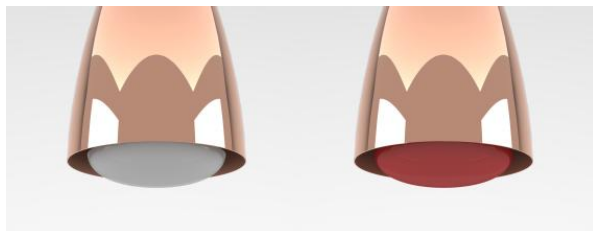
750 500 W



# Pannellatura/Paneling

INFRARED LAMP

INFRARED LAMP



WHITE

RED

## Optional/Options

WL



White infrared lamp