

**INSTRUCTIONS FOR USE AND INSTALLATION
COUNTER DISPLAYS
TPR 60/TPR 80**



Made in France

COUNTER DISPLAYS

TPR 60 / TPR 80

Congratulations for the acquisition of this upmarket appliance made in France. You chose an appliance which alloys the best technical qualities with a big user-friendliness. We wish you the biggest contentment

1. SECURITY INSTRUCTIONS

Please respect these instructions scrupulously to avoid any risk of fire, electric shock, scald or other wounds and damage. During the use of this appliance, fundamental circumspection of security must always be noticed, such as:

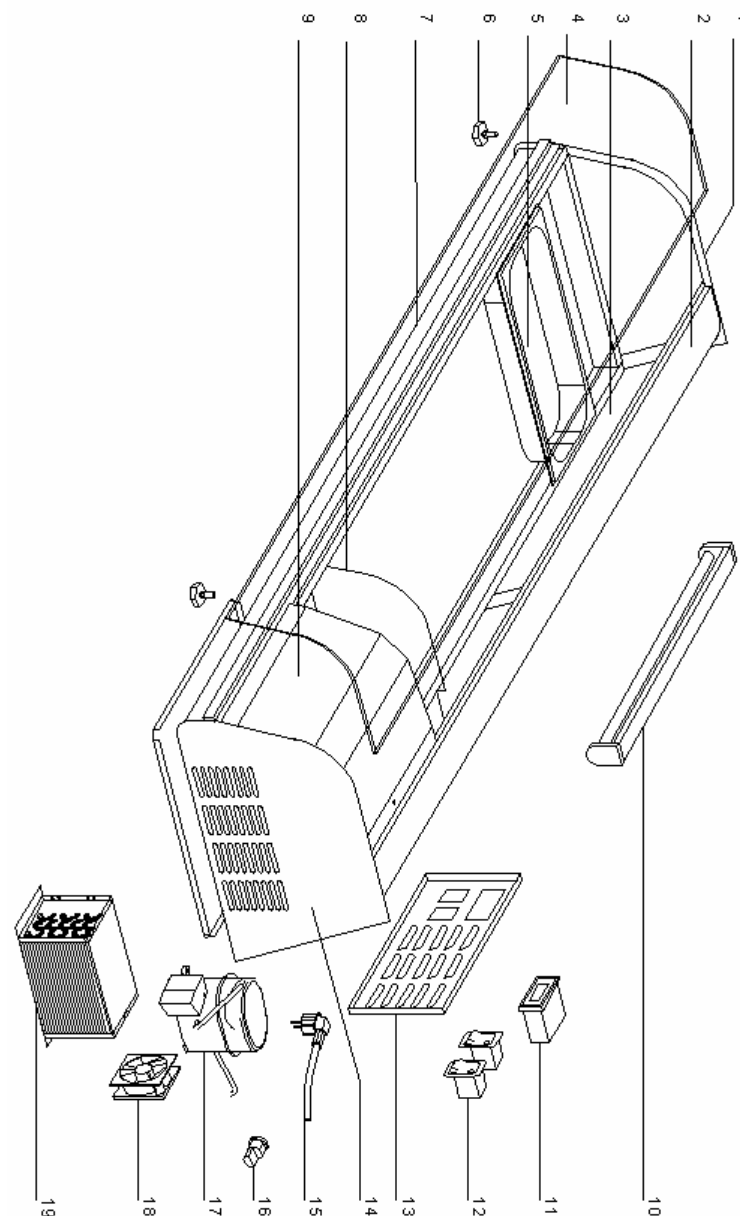
- Take into account the instructions to be systematically kept with the appliance.
- Install the appliance always in instructions respect. A 10 cm distance minimum with the partition or the wall is necessary.
- Protect the appliance from direct light of the sun, frost and humidity.
- Never leave the appliance within the reach of children or disabled persons without surveillance.
- The machine has to be used only by qualified person.
- Never move the appliance when it is working.
- Check that the appliance is definitely off before connecting it up or disconnecting it.
- Do not use the appliance for other functions than determined use.
- Do not leave the electrical cord in contact of hot surfaces.
- The appliance should not be used close to combustible materials.
- During use, look after not to obstruct hearings of aeration of the appliance.
- To avoid any electric shock, never plunge the cord or plug in water or quite other liquid.
- If the cord is harmed, it must be replaced by the producer, its after sale service or persons of similar skills to avoid any risk.
- Entrust repairs only to a skilled person.
- Use only spare parts of origin.
- Before cleaning the appliance, do not forget to disconnect it.

2. CONTENTS OF CARDBOARD PACKAGING

Device: a counter display

- Accessories: - Stainless steel containers GN 1/3 (6 for TPR 60—8 for TPR 80)
- The present note

See exploded views at the end of the document



Nomenclature TPR 80
Spare parts TPR 80

Rep	Code	Qty	Pièce	Spare part
1	SH01093	1	Vitre côté gauche	Left side glass
2	SH04042	1	Profilé alu haut	Top alu section
3	SH01097	2	Porte	Door
4	SH01092	1	Vitre bombée	Curved glass
5	F05071	8	Bac gastro 1/3 H 40	Container GN 1/3 H 40
6	A13012	4	Pied	Foot
7	SH04043	2	Profilé alu bas	Bottom alu section
8	SH01094	1	Séparation plexiglas	Plexiglass division
9	74404	1	Capot compresseur	Compressor protection
10	SA18011	1	Réglette + tube néon	Setting sitck+fluorescent tube
11	SA06030	1	Thermostat électronique	Electronic thermostat
12	A07025	2	Interrupteur	Switch
13	74406	1	Tableau composant	Control panel holder
14	SH01095	1	Côté droit plexiglas	Plexiglass right side
15	SC03024	1	Cordon + prise	Cord w with plug
16	A10001	1	Serre cable	Cord closer
17	SA03068	1	Compresseur	Compressor
18	SA03018	1	Ventilateur	Ventilator
19	SA03089	1	Condenseur	Condensor

3. CONFORMITY OF USE

Use the display only to keep products at a temperature between +1°C and +5°C (cold starters, shellfishes, meat, pastries...). It does not enable you to refresh food.

Fresh products will be presented during working and service hours. Afterwards they will be stores in a conventional cool chamber.

To take shelter from light is very important for hygiene and it lasts the storage of foodstuff. The light generates effectively a photochemical reaction on the food, which causes a decolouration, a loss of flavour and of its alimentary characteristics.

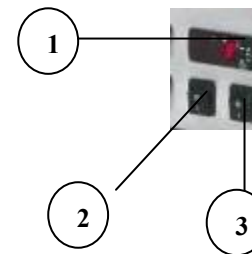
In order to soften this phenomenon, please avoid to exhibit the machine in the sun.

4. WAY OF FUNCTIONING

These displays exist in 2 versions : with 6 or 8 containers.

They respectively keep food at a constant temperature in 6 or 8 containers GN 1/3. The performances are guaranteed for a use under the climatic class 3, which corresponds to a maximal ambient temperature of 25°C.

To turn on the display, press on the left switch (n°3 on picture): the electronic thermostat (n°1 on picture) preset in factory is on. Press on the right switch (n°2 on picture) to turn on the light (n°4 on picture).



(Control knobs — Back side)

1 Electronic thermostat

2 Light switch

3 On/off switch

4 Light

5. FUNCTIONING / MANIPULATION

a) Installation / assembly:

- Unload carefully the display from its packaging
- Place the equipment on a stable surface.
- Remove the protective film from the display to unpack it.
- Adjust the feet in order that the machine is completely stable
- A distance of 10 cm from the partition or the wall is considered enough.
- Never place the device near a wall or near a partition made of combustible materials even if it is very well isolated.
- Be careful : never expose the display to the sun

b) First starting:

First cleaning

Clean the device before the first use. (Cf 6 Cleaning)

Connection of the device

- Check that the tension and the frequency of the electricity network suit to the values indicated on the descriptive plate.
- Check that neither the cord nor the plug are damaged
- Make sure that every control knob is positioned on 0.
- Unwind completely the electric power cable and connect it in a normalised plug with the earth.
- The device is connected.

NB: in case of connection of the device in a plug without earth protection or directly on the electricity network, confide its connection to a qualified person .

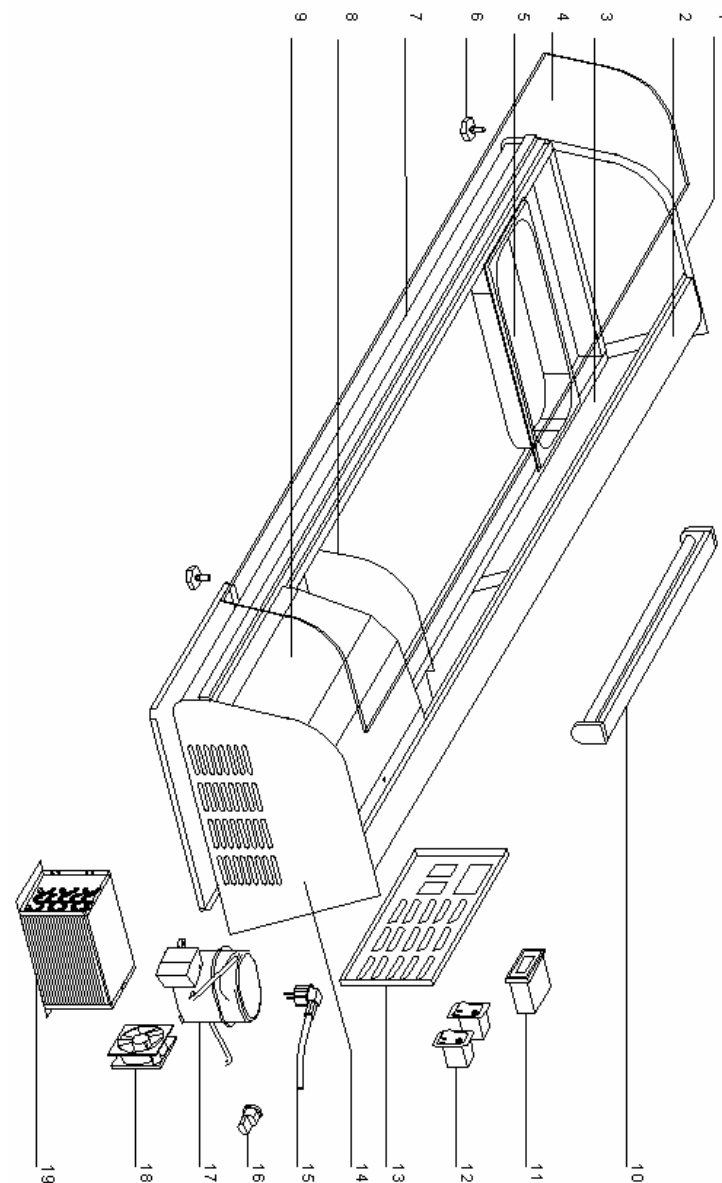
c) Use of device :

Elements of command and display

Command/Display	Function
Electronic thermostat (n°1 on picture)	Temperature setting
Switch 0/I (n°2 on picture)	Light on / Light off
Switch 0/I (n°3 on picture)	On/off

Starting

- Press on the switch (n°3 on picture), the machine is on. The preset electronic thermostat is on.
- Wait until the display is at the right temperature (Compressor stopped)
- Press on the second switch (n°2 on picture) to turn on light.



Nomenclature TPR 60
Spare parts TPR 60

Rep	Code	Qty	Pièce	Spare part
1	SH01093	1	Vitre côté gauche	Left side glass
2	SH04039	1	Profilé alu haut	Top alu section
3	SH01096	2	Porte	Door
4	SH01091	1	Vitre bombée	Curved glass
5	F05071	6	Bac gastro 1/3 H 40	Container GN 1/3 H 40
6	A13012	4	Pied	Foot
7	SH04040	2	Profilé alu bas	Bottom alu section
8	SH01094	1	Séparation plexiglas	Plexiglass division
9	74404	1	Capot compresseur	Compressor protection
10	SA18011	1	Réglette + tube néon	Setting stick+fluorescent tube
11	SA06030	1	Thermostat électronique	Electronic thermostat
12	A07025	2	Interrupteur	Sw itch
13	74406	1	Tableau composant	Control panel holder
14	SH01095	1	Côté droit plexiglas	Plexiglass right side
15	SC03024	1	Cordon + prise	Cord w ith plug
16	A10001	1	Serre cable	Cord closer
17	SA03068	1	Compresseur	Compressor
18	SA03018	1	Ventilateur	Ventilator
19	SA03089	1	Condenseur	Condensor

Temperature setting

The electronic thermostat is preset in factory and impossible to modify.

Stopping the appliance

- Set each switch (n°2 and 3 on picture) on 0: the appliance is no longer functioning.
- Disconnect the power cable.
- Clean the appliance. (see 6. Cleaning)

d) Breakdown / repair:

In case of breakdown or of damaged part, please call your after-sales service and confide any technical operation to qualified person.

When you contact the after-sales service of your distributor or your store, give him the complete reference of your device (commercial name, type and serial number). This information appears on the visible descriptive plate behind the device.

6. CLEANING AND MAINTENANCE

- Disconnect the device.
- Clean it regularly after each use by using only use non-abrasive products, warm water and wash liquid: avoid the abrasive towelling. Rinse your device with a wet sponge and dry it with a soft cloth.
- Never clean the device under a water jet, the infiltrations would risk to damage it in a irreparable way.
- Never immerse the cord or the plug in the water or quite other liquid to avoid any electric shock.

7. TECHNICAL SPECIFICATIONS

Model	TPR 60	TPR 80
Outside dimensions	1450x400x260 mm	1800x400x260 mm
Weight	33 Kg	40 Kg
Compressor	160 W	165 W
Gas	R 134 A	R 134 A
Temperature	+1° à +5°	+1° à +5°
Current	2.5 A	2.5 A
Voltage	220-240 V N ~	220-240 V N ~

Wires colour correspondence

Phase
Neutral
Earth

Brown / Black / Grey
Blue
Yellow-Green

8. NORMS AND LEGALS DISPOSALS

The device is conform to :

EN 60335-1
EN 55104
EN 61000

9. ELIMINATION OF THE ELECTRIC AND ELECTRONIC WASTE

The device respects the directives:

2002 / 95 / CE (DEEE) N°34270064800021
2002 / 96 / CE (ROHS)



Never put the device among household waste.

The device must be put down in a centre of recycling for the electric equipments.

The materials of the device are indeed reusable. By eliminating correctly the electric and electronic wastes, the recycling and quite other shape of re-use of worn equipments, you participate in a significant way in the environmental protection.

For any information about the collection of electric and electronic waste, please contact your distributor.

10. GUARANTEE

Conditions of guarantee

The guarantee applicable to any device is the commercial guarantee of the distributor or the retailer. Please contact the store where you bought your device to know the precise conditions.

The guarantee grants no right for damages.

The dispositions which follow are not exclusive of the profit of the legal guarantee planned by articles 1641 and following ones of the Civil code relative to the defects and the latent defects.

Exclusion clauses of the guarantee

Bad installation and bad maintenance, in particular if they do not respect current regulations or instructions appearing in this user guide.

Cannot benefit from the guarantee the repairs required as a result of false operations, of inappropriate use, of carelessness or of excess loads of the device, as well as those resulting from variations of the power supply, over tension or from defective installations.

The damage due to shocks, bad weather is not flatware by the guarantee. The material travels at the risks of the user; in case of delivery by carrier, the consignee has to have reservations towards the carrier before any delivery of the device.

The guarantee comes to an end in case of intervention, of repair, of modification by no qualified persons, or of use in inappropriate purposes.

