



www.santos.fr

GRATER #02

For cheese, chocolate, dried fruits, peanuts...



Internationally patented models

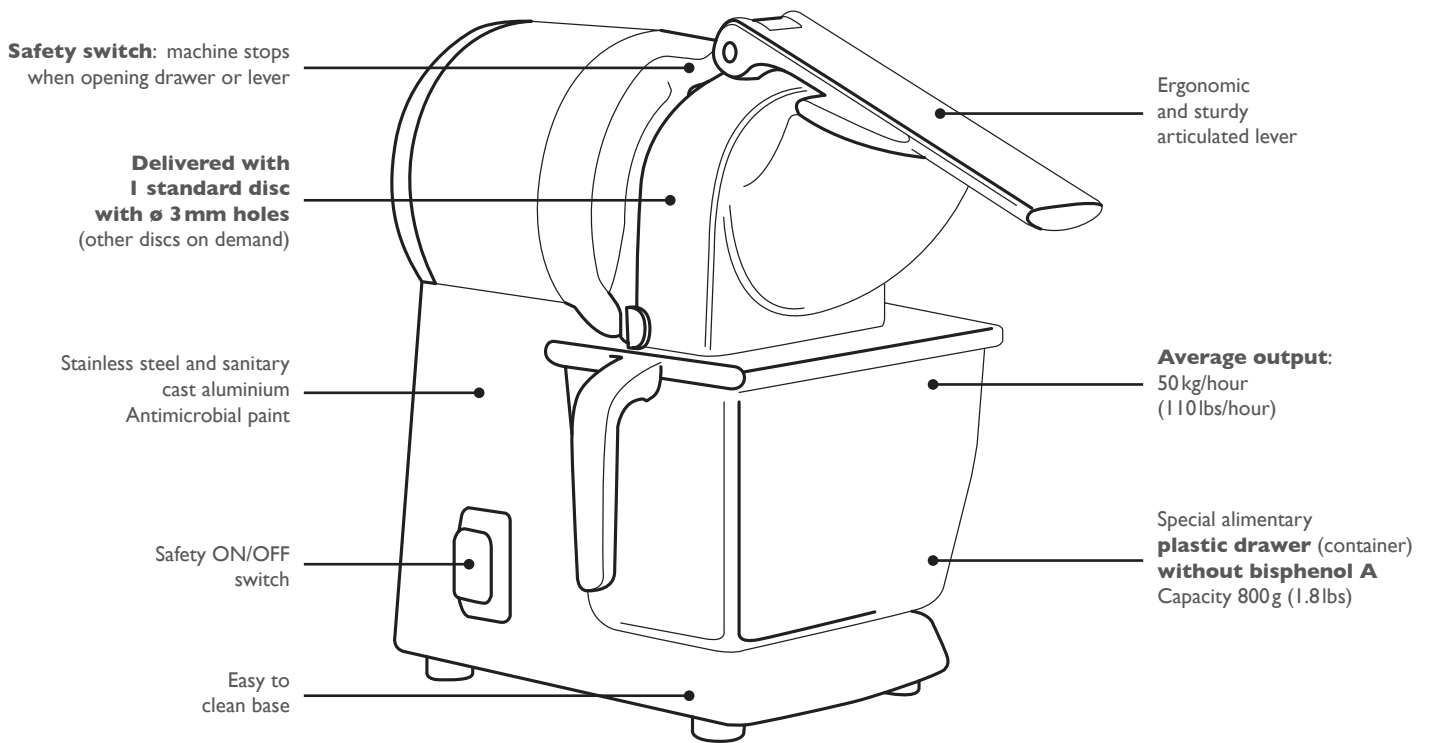




THE GENUINE

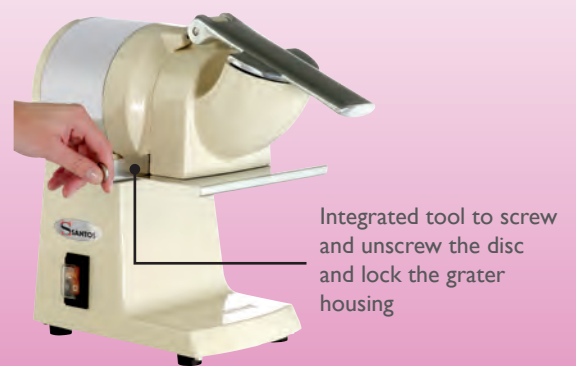
THE GENUINE GRATER SINCE 1954

The genuine Santos grater #02 is the ideal appliance for all kinds of cheese, chocolate, peanuts and dried fruits...
Dedicated to cheese shops, supermarkets, pizzerias, cake shops.
Its new design facilitates cleaning and maintenance.



 **Output 50kg/h (110lbs/h)**

EASY TO CLEAN



GRATER #02



A WIDE RANGE OF DISCS TO GRATE EVERYTHING...

www.santos.fr

A unique range of discs to grate all kinds of cheese, dried fruits, chocolate, peanuts...



ø 2mm holes



ø 3mm holes



ø 4mm holes



ø 6mm holes



ø 8mm holes



Specific disc for fondue, mozzarella, chocolate



Specific disc for parmesan, dried fruits, peanuts (very fine)



Option: The disc for the ice crusher #09 is adaptable to the grater #02.

TECHNICAL SPECIFICATIONS



Motor

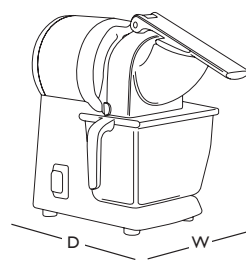
Single phase: 100-120V - 50/60 Hz - 650W – CE, UL
220-240V - 50/60 Hz - 600W – CE

Speed: 1500rpm (50 Hz)
1800rpm (60 Hz)



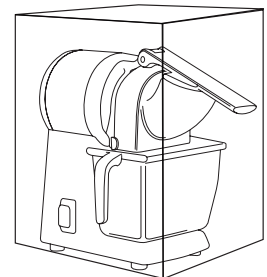
Weight

Net: 14,2kg (31lbs)
Shipping: 15,2kg (34lbs)



APPLIANCE

W: 250mm (10")
D: 420mm (16,5")
H: 350mm (14")



SHIPPING BOX

W: 295mm (12")
D: 455mm (18")
H: 410mm (16")

SAFETY, STANDARDS, HYGIENE

In accordance with the following regulations

Machinery directive 2006/42/EC
Electromagnetic compatibility 2004/108/EC
«Low voltage» directive 2006/95/EC
Regulation 1935/2004/EC (contact with food)
RoHS directive 2002/95/EC

Harmonized European standards

EN ISO 12100- 1 and 2: 2004-
EN 60204- 1:2006
EN 60335-2-64 : 2004 Commercial electric kitchen machines

CE (European standards), UL (USA) and cUL (Canada)

Thermal safety

Motor protected by internal thermal detector.

Acoustic safety

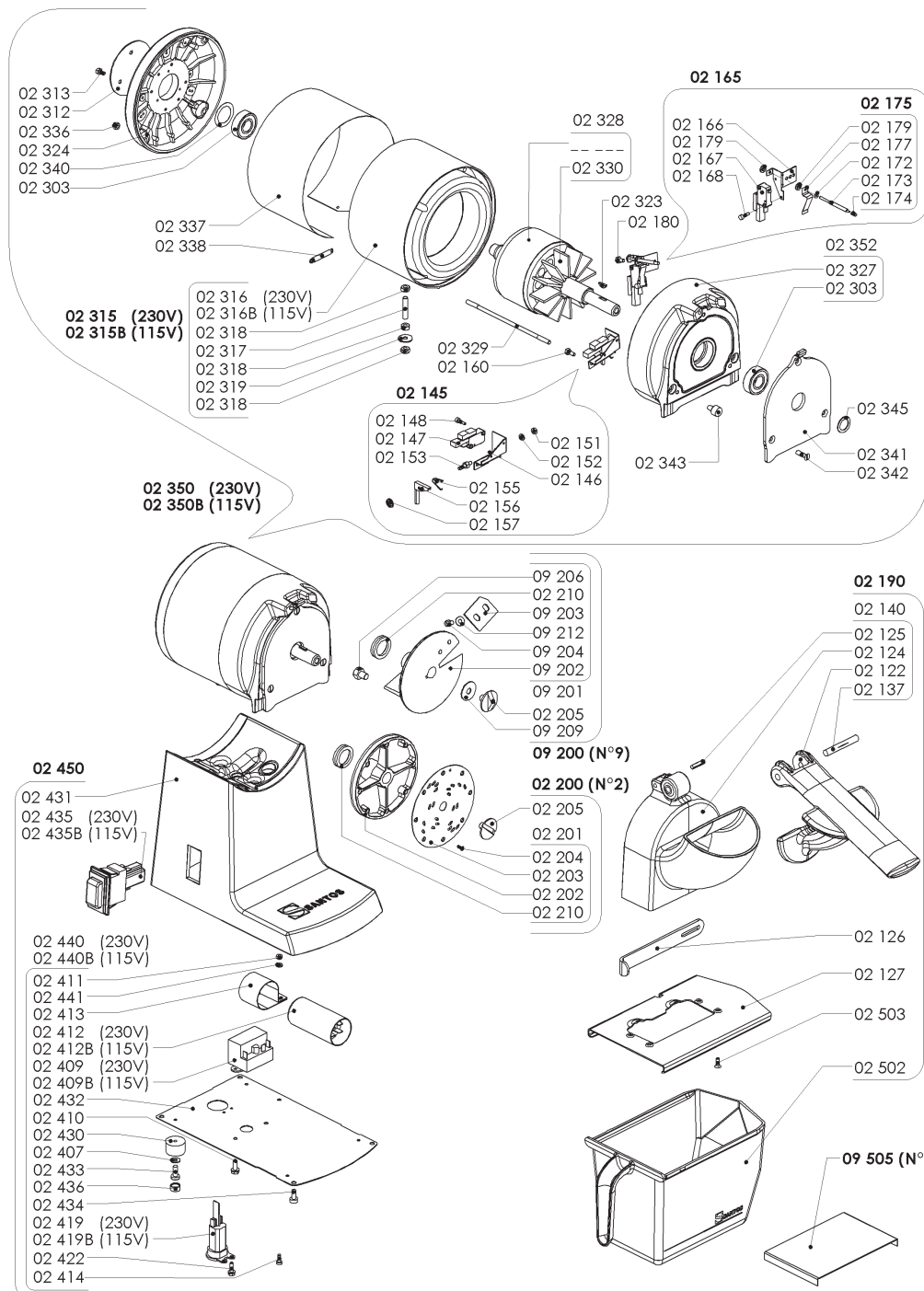
Very silent and powerful asynchronous motor.

Hygiene

All removable parts can be put in a dishwasher or easily cleaned with hot soapy water.

PRODUCT: 2-YEAR WARRANTY | MOTOR: 5-YEAR WARRANTY

THE GENUINE GRATER #02



SANTOS

140-150 Avenue Roger Salengro BP 80 067 – 69511 Vaulx-en-velin Cedex (Lyon) – FRANCE

Tel. +33 4 72 37 35 29 – Fax. +33 4 78 26 58 21 – Website: www.santos.fr – Email: santos@santos.fr

Follow us on #SantosAddict social networks