

# BIN T420



BIN - Storage Capacity up to 200 kg

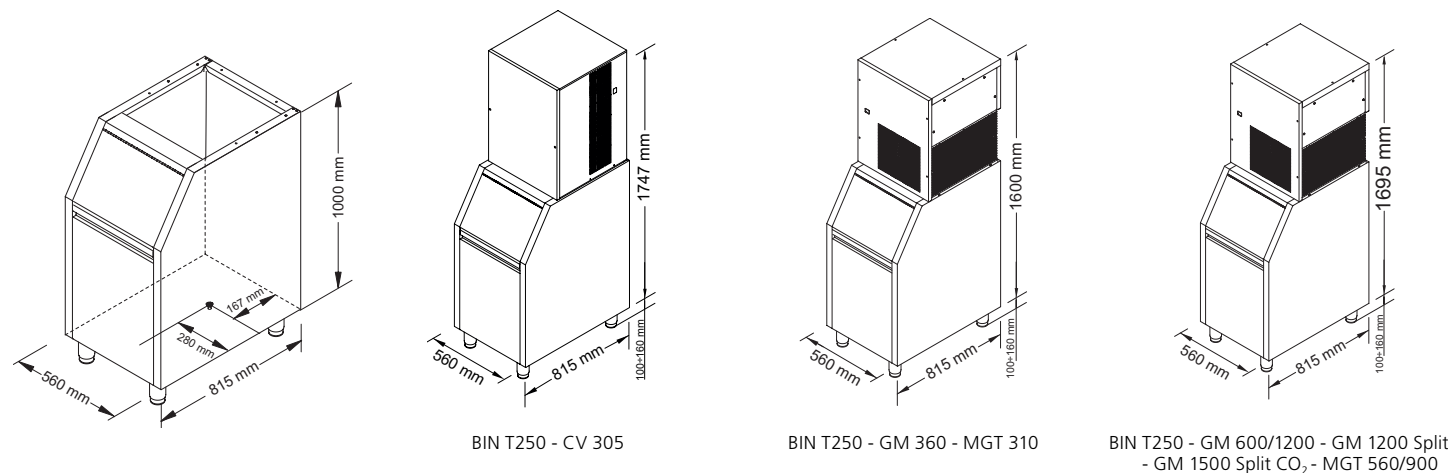
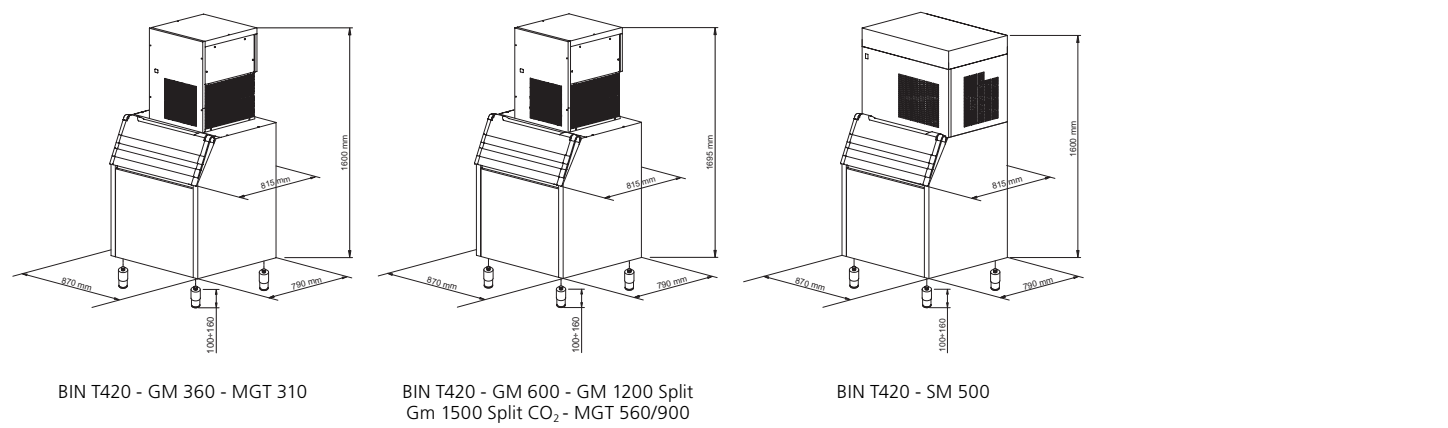
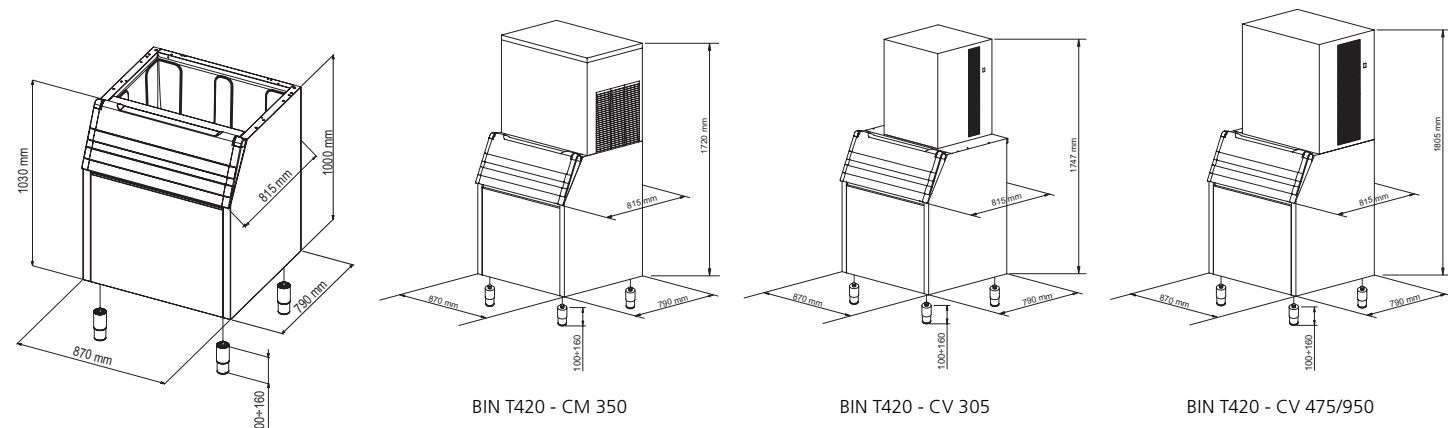
### • Technical information

Store capacity, up to	<b>200 kg</b>
Sizes (L-P-H mm) *	<b>870 - 815 - 1000</b>
Sizes with pack (L-P-H mm)	<b>920 - 850 - 1175</b>
Net weight	<b>63 kg</b>
Gross weight	<b>78 kg</b>
Finish	<b>AISI 304 stainless steel, scotch brite</b>

### • Usable with

- CM 350
- CV 305-475-950
- GM 1500 Split CO<sub>2</sub>
- MGT 310-560-900
- SM 500
- GM 360-600-1200
- GM 1200 Split

\* Adjustable foot 100-160 mm



# DRB 2500



BIN - Storage Capacity up to 1216 kg

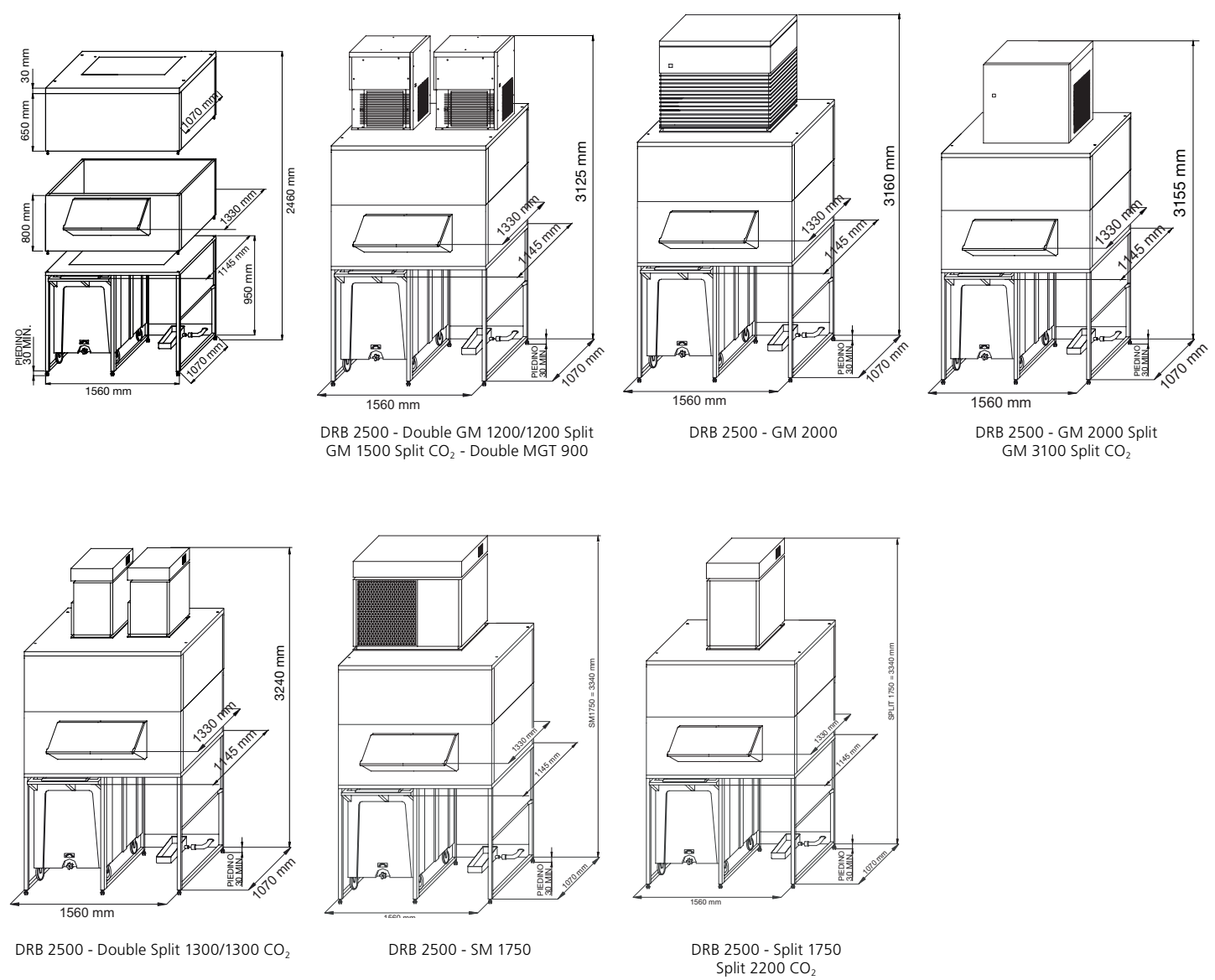
### • Technical information

Store capacity, up to	<b>108 kg x 2</b>
Bay store capacity	<b>1000 kg</b>
Sizes (L-P-H mm)	<b>1560 - 1330 - 2460</b>
Sizes with pack (L-P-H mm)	<b>1630 - 1200 - 1145 (x3)</b>
Net weight	<b>251 kg</b>
Gross weight	<b>404 kg</b>
Finish	<b>AISI 304 stainless steel, scotch brite</b>

### • Usable with

- GM 1200 °°
- GM 1200 Split °°
- GM 1500 Split CO<sub>2</sub> °°
- GM 2000
- GM 2000 Split
- GM 3100 Split CO<sub>2</sub>
- MGT 900 °°
- SM 1300-1750
- Split 1300 °° -1750
- Split 1300 °° -2200 CO<sub>2</sub>

\*\* Double application of the ice maker



Released on: January 2021

Models and specifications are subject to change without notice



www.ntfce.it  
info@bremaicegroup.it



# BIN PE530



BIN - Storage Capacity up to 190 kg

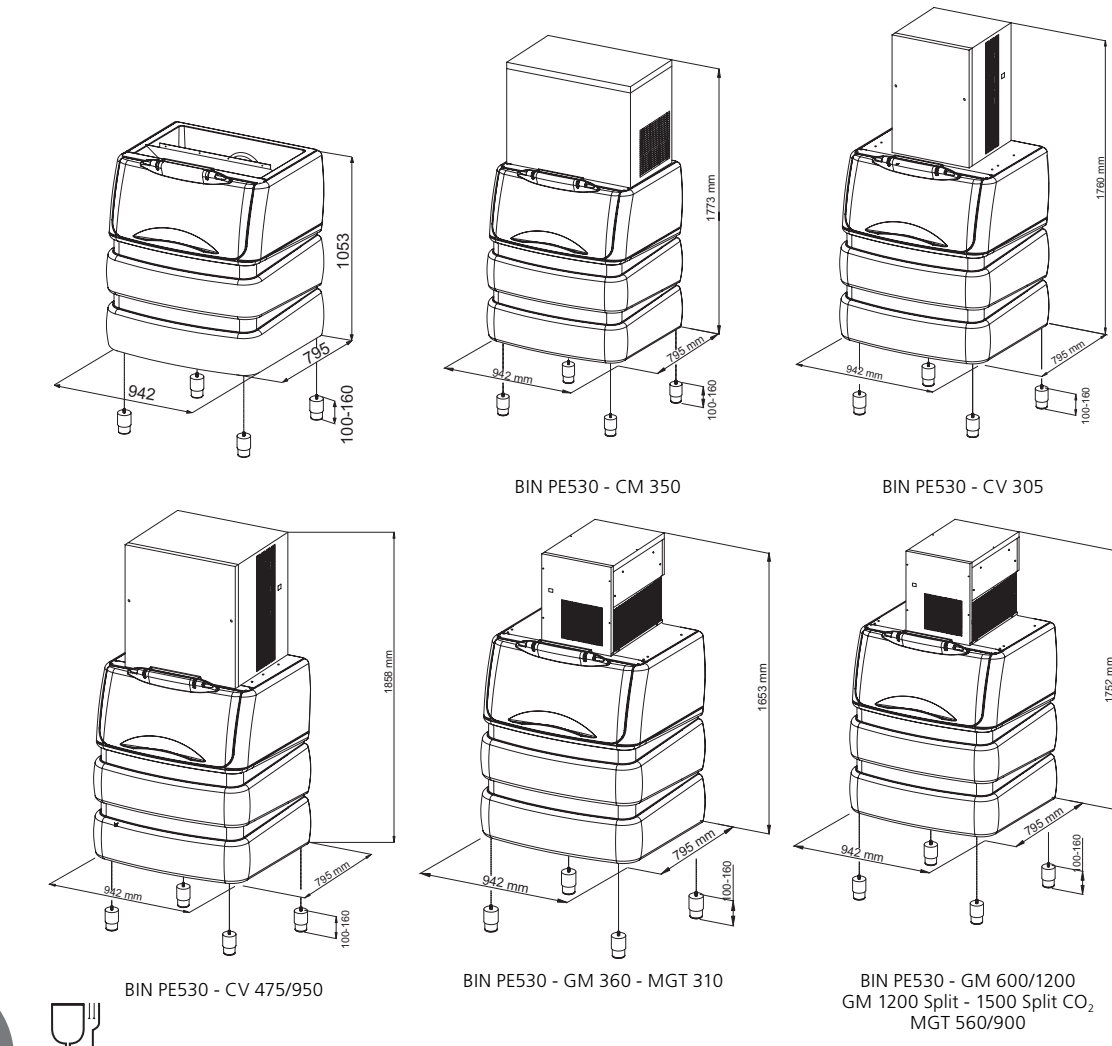
### • Technical information

Store capacity, up to	<b>190 kg</b>
Sizes (L-P-H mm) *	<b>942 - 795 - 1053</b>
Sizes with pack (L-P-H mm)	<b>1035 - 885 - 1275</b>
Net weight	<b>64 kg</b>
Gross weight	<b>79 kg</b>
Finish	<b>Polyethylene</b>

### • Usable with

- CM 350
- CV 305-475-950
- GM 1200 Split
- GM 1500 Split CO<sub>2</sub>
- MGT 310-560-900
- GM 360-600-1200

\* Adjustable foot 100-160 mm



# BIN T250



BIN - Storage Capacity up to 100 kg

### • Technical information

Store capacity, up to	<b>100 kg</b>
Sizes (L-P-H mm) *	<b>560 - 815 - 1000</b>
Sizes with pack (L-P-H mm)	<b>620 - 880 - 1175</b>
Net weight	<b>53 kg</b>
Gross weight	<b>65 kg</b>
Finish	<b>AISI 304 stainless steel, scotch brite</b>

### • Usable with

- CV 305
- GM 360-600-1200
- GM 1500 Split CO<sub>2</sub>
- MGT 310-560-900
- GM 1200 Split

\* Adjustable foot 100-160 mm

# STORAGE BIN

# BIN T830



BIN - Storage Capacity up to 350 kg

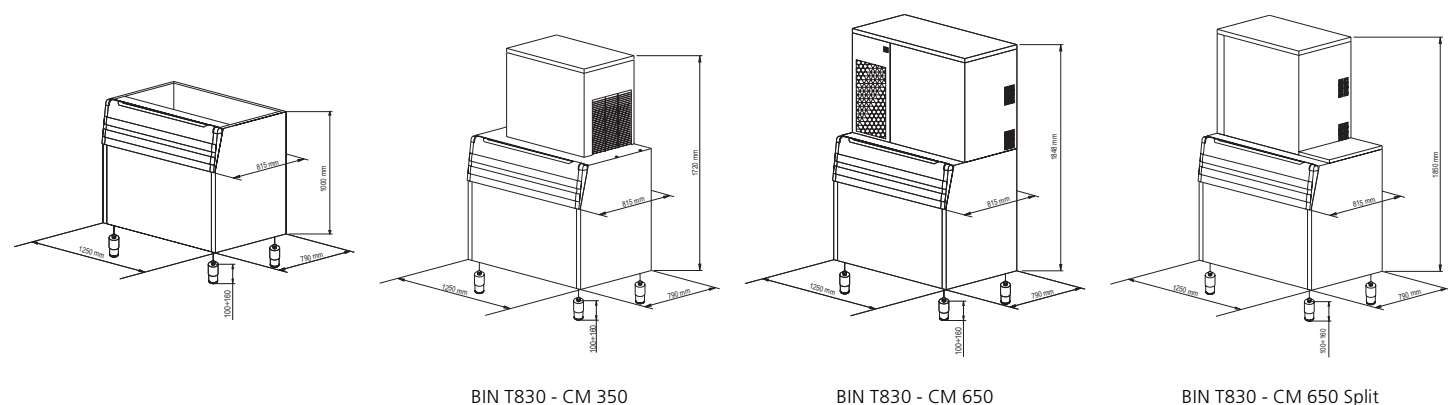
## • Technical information

Store capacity, up to	<b>350 kg</b>
Sizes (L-P-H mm) *	<b>1250 - 815 - 1000</b>
Sizes with pack (L-P-H mm)	<b>1300 - 850 - 1180</b>
Net weight	<b>102 kg</b>
Gross weight	<b>120,5 kg</b>
Finish	<b>AISI 304 stainless steel, scotch brite</b>

## • Usable with

- CM 350-650
- CM 650 Split
- CV 475-950-1650
- GM 600-1200
- GM 1200 Split
- GM 1500 Split CO<sub>2</sub>
- MGT 560-900
- SM 500-750-1300
- Split 750-1300
- Split 1300 CO<sub>2</sub>

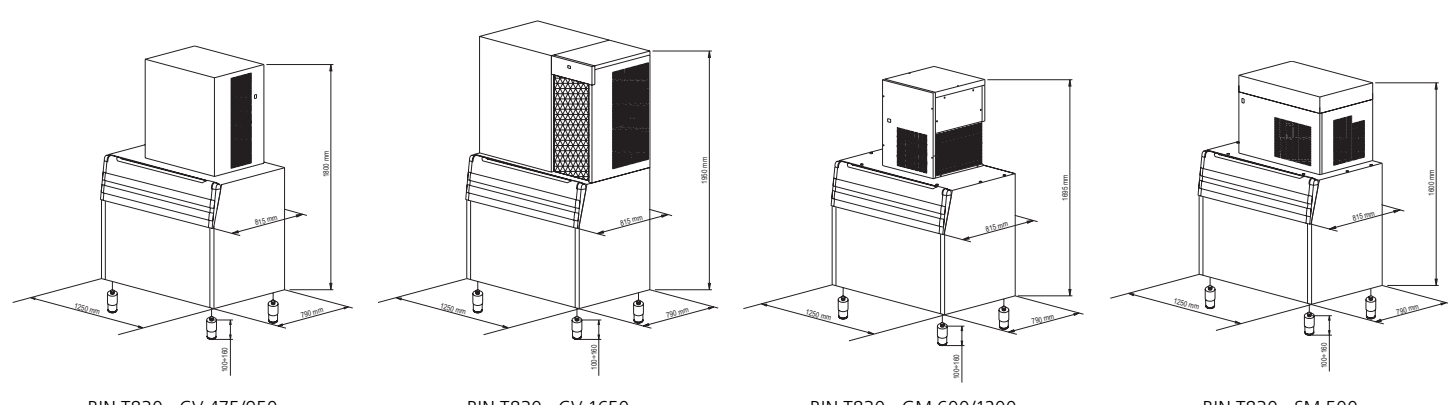
\* Adjustable foot 100-160 mm



BIN T830 - CM 350

BIN T830 - CM 650

BIN T830 - CM 650 Split

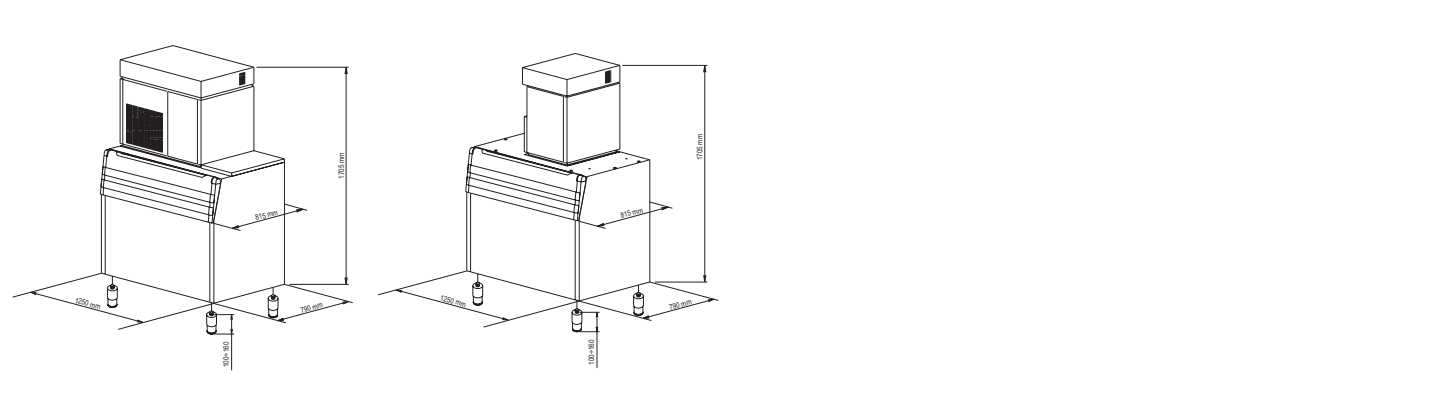


BIN T830 - CV 475/950

BIN T830 - CV 1650

BIN T830 - GM 600/1200  
GM 1200 Split - GM 1500 Split CO<sub>2</sub>  
MGT 560/900

BIN T830 - SM 500



BIN T830 - SM 750/1300

BIN T830 - Split 750/1300  
Split 1300 CO<sub>2</sub>

# BIN 1200 DD



BIN - Storage Capacity up to 550 kg

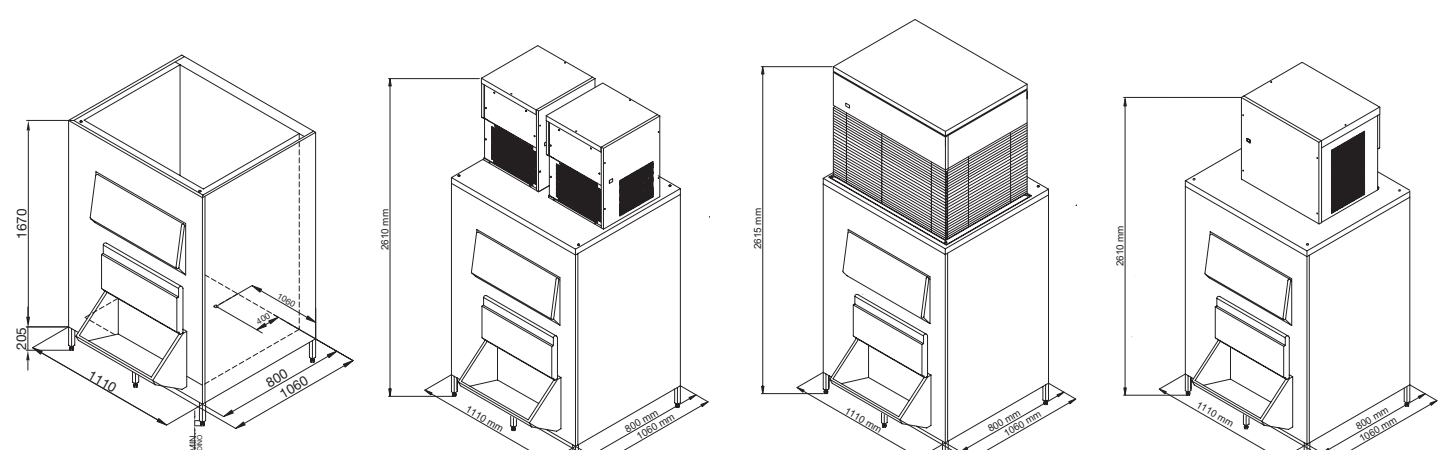
## • Technical information

Store capacity, up to	<b>550 kg</b>
Sizes (L-P-H mm)	<b>1110 - 1060 - 1915</b>
Sizes with pack (L-P-H mm)	<b>1280 - 1235 - 1960</b>
Net weight	<b>163 kg</b>
Gross weight	<b>177 kg</b>
Finish	<b>AISI 304 stainless steel, scotch brite</b>

## • Usable with

- GM 1200 °°
- GM 1200 Split °°
- GM 1500 Split CO<sub>2</sub>
- GM 2000
- GM 2000 Split
- GM 3100 Split CO<sub>2</sub>
- MGT 900 °°
- SM 750-1300-1750-3300
- Split 750-1300-1750-3300
- Split 1300-2200-3300 CO<sub>2</sub>

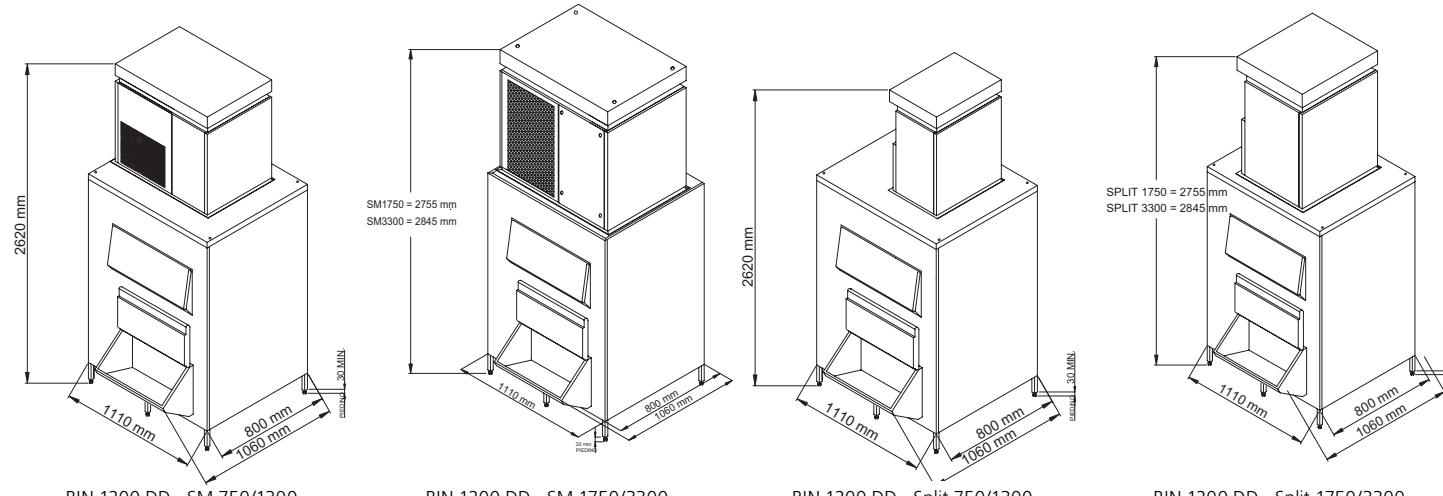
\*\* Double application of the ice maker



BIN 1200 DD - Double GM 1200  
Double GM 1200 Split - GM 1500 Split CO<sub>2</sub>  
Double MGT 900

BIN 1200 DD - GM 2000

BIN 1200 DD - GM 2000 Split  
GM 3100 Split CO<sub>2</sub>



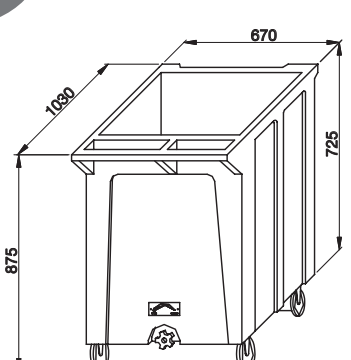
BIN 1200 DD - SM 750/1300

BIN 1200 DD - SM 1750/3300

BIN 1200 DD - Split 750/1300  
Split 1300 CO<sub>2</sub>

BIN 1200 DD - Split 1750/3300  
Split 2200/3300 CO<sub>2</sub>

# CARRELLO TROLLEY



# RB 140



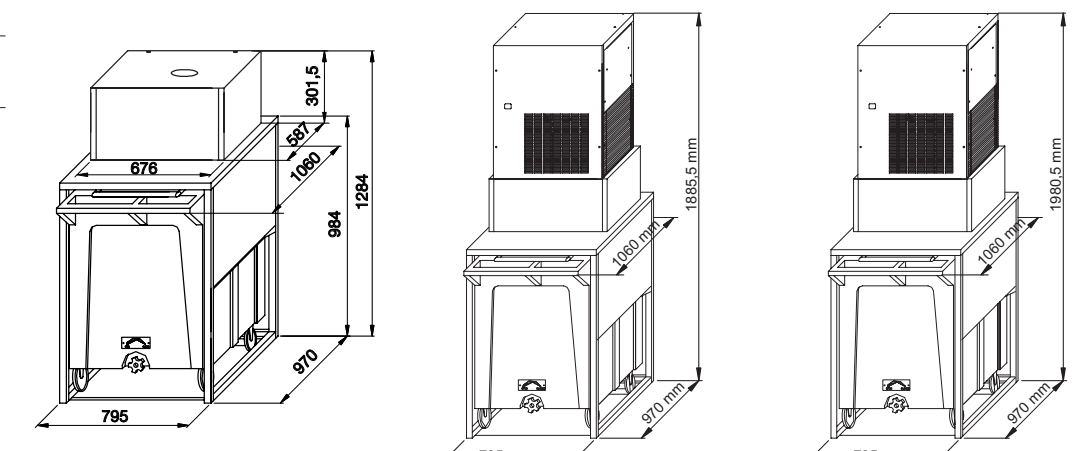
BIN - Storage Capacity up to 125 kg

## • Technical information

Store capacity, up to	<b>108 kg</b>
Bay store capacity	<b>17 kg</b>
Sizes (L-P-H mm)	<b>795 - 1060 - 1284</b>
Sizes with pack (L-P-H mm)	<b>860 - 1125 - 1145</b>
Net weight	<b>64 kg</b>
Gross weight	<b>80 kg</b>
Finish	<b>AISI 304 stainless steel, scotch brite</b>

## • Usable with

- GM 360-600-1200
- GM 1200 Split
- GM 1500 Split CO<sub>2</sub>
- MGT 310-560-900



RB 140 - GM 360 - MGT 310

RB 140 - GM 600/1200  
GM 1200 Split - GM 1500 Split CO<sub>2</sub>  
MGT 560/900

# RB 280



BIN - Storage Capacity up to 266 kg

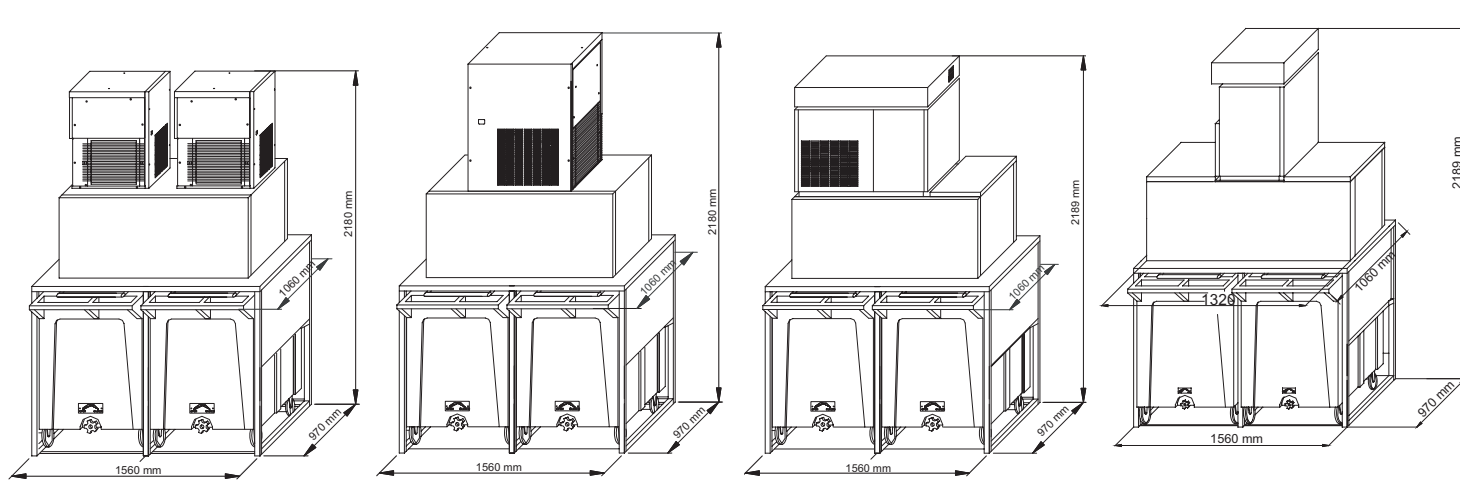
## • Technical information

Store capacity, up to	<b>108 kg x 2</b>
Bay store capacity	<b>50 kg</b>
Sizes (L-P-H mm)	<b>1560 - 1060 - 1484</b>
Sizes with pack (L-P-H mm)	<b>1625 - 1125 - 1655</b>
Net weight	<b>133 kg</b>
Gross weight	<b>223 kg</b>
Finish	<b>AISI 304 stainless steel, scotch brite</b>

## • Usable with

- CV 475-950
- GM 600-1200 °°
- GM 1200 Split °°
- GM 1500 Split CO<sub>2</sub> °°
- MGT 560-900 °°
- SM 750-1300
- Split 750-1300
- Split 1300 CO<sub>2</sub>

\* Single or double application of the ice maker



RB 280 - Double GM 600/1200  
Double GM 1200 Split - Double GM 1500  
Split CO<sub>2</sub> - Double MGT 560/900

RB 280 - GM 600/1200 - GM 1200 Split  
GM 1500 Split CO<sub>2</sub> - MGT 560/900

RB 280 - SM 750/1300

RB 280 - Split 750/1300  
Split 1300 CO<sub>2</sub>

# DRB 1100



BIN - Storage Capacity up to 516 kg

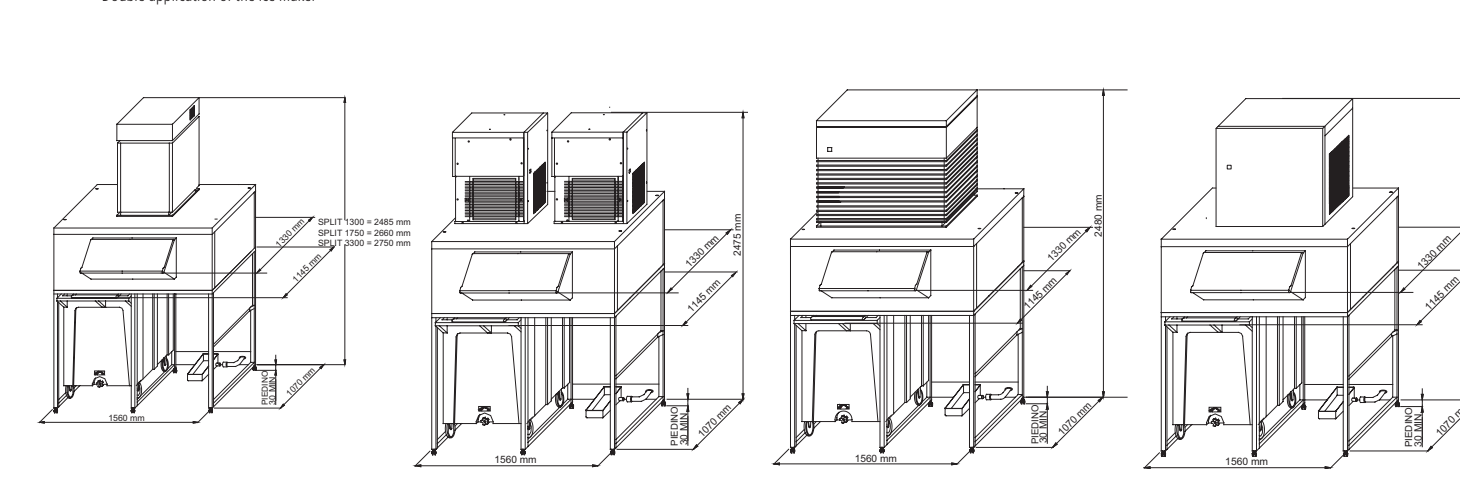
## • Technical information

Store capacity, up to	<b>108 kg x 2</b>
Bay store capacity	<b>300 kg</b>
Sizes (L-P-H mm)	<b>1560 - 1330 - 1810</b>
Sizes with pack (L-P-H mm)	<b>1630 - 1200 - 1145 (x2)</b>
Net weight	<b>204 kg</b>
Gross weight	<b>307 kg</b>
Finish	<b>AISI 304 stainless steel, scotch brite</b>

## • Usable with

- GM 1200 °°
- GM 1200 Split °°
- GM 1500 Split CO<sub>2</sub> °°
- GM 2000
- GM 2000 Split
- GM 3100 Split CO<sub>2</sub>
- MGT 900 °°
- SM 1300-1750-3300
- Split 1300-1750-3300
- Split 1300-2200-3300 CO<sub>2</sub>

\*\* Double application of the ice maker



DRB 1100 - Split 1300/1750/3300  
Split 1300/2200/3300 CO<sub>2</sub>

DRB 1100 - Double GM 1200  
Double GM 1200 Split - 1500 Split CO<sub>2</sub>  
Double MGT 900

DRB 1100 - GM 2000

DRB 1100 - GM 2000 Split  
GM 3100 Split CO<sub>2</sub>