



www.santos.fr

**"CLASSIC" CITRUS JUICER # 11**  
*The genuine citrus juicer*

**SINCE  
1954**

**For all citrus fruits**

*limes, lemons, oranges,  
grapefruits*



Internationally patented models





# "CLASSIC" CITRUS JUICER # 11

SINCE 1954



The real commercial juicer, built to last, with a heavy duty and quiet asynchronous motor, for use everywhere you need a fresh squeezed citrus juice: juice bars, health food stores, hotels, bars, restaurants, cafeterias, ice cream shops, institutions, hospitals and even...at home.



**Output**  
30 liters of juice per hour (8 gallons)

**Removable bowl**  
food-safe material (NSF approved)

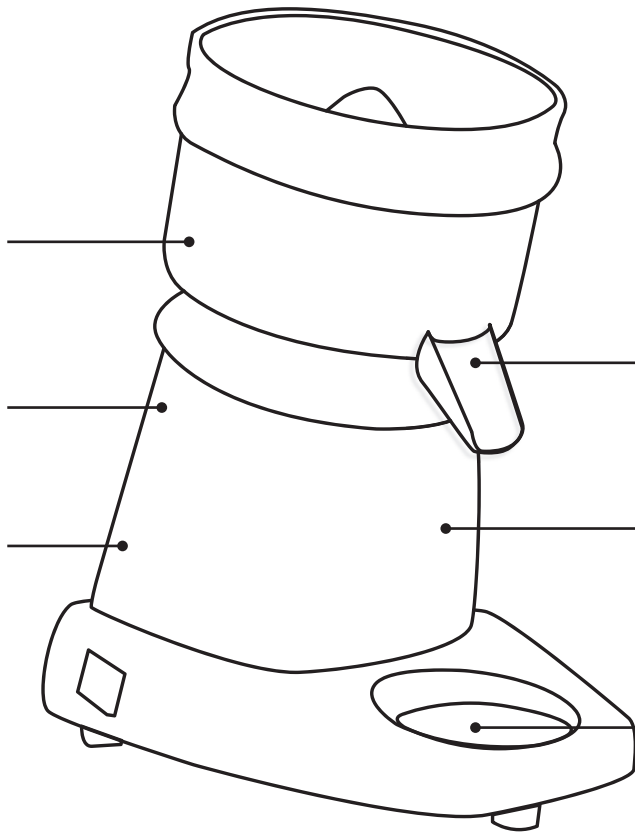
**Chromed or painted**  
motor base

**Inclined body**  
for better output

**Wide spout** accepting all types of glasses. Height of the spout : 125 mm (5")

**Heavy duty and quiet**  
asynchronous motor

**Removable** drip tray



11C Chrome



11G Grey



11 Green

**CHOOSE**  
YOUR COLOUR!

The genuine citrus juicer



**EASY TO USE, EASY TO CLEAN, COMPLETELY SAFE**

www.santos.fr

The unique juicer that you can clean quickly and easily : All the parts which are in contact with the fruits are easily removable (NSF approved).



**+** 3 removable squeezers + cover for:

- Limes
- Lemons and Oranges
- Grapefruits

**TECHNICAL SPECIFICATIONS**



**Motor**

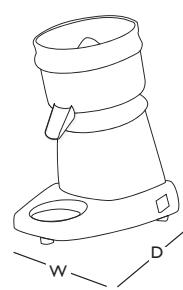
Single phase: 100-120V - 50/60 Hz - 155 W - NSF, CE  
220-240V - 50/60 Hz - 130 W - CE

Speed: 1500 rpm (50 Hz)  
1800 rpm (60 Hz)

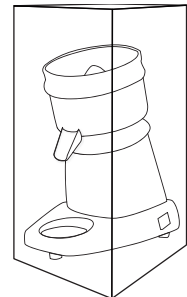


**Weight**

Net: 5 Kg (11 lbs)  
Shipping: 5.6 Kg (12 lbs)



**APPLIANCE**  
W: 230 mm / 9"  
D: 300 mm / 12"  
H: 350 mm / 14"



**SHIPPING BOX**  
W: 255 mm / 10"  
D: 340 mm / 13"  
H: 400 mm / 16"

**SAFETY, STANDARDS, HYGIENE**

**In accordance with the following regulations**

- Machinery directive 2006/42/EC
- Electromagnetic compatibility 2004/108/EC
- "Low voltage" directive 2006/95/EC
- RoHS directive 2002/95/EC
- Regulation 1935/2004/EC (contact with food)

**Harmonized European standards**

- EN 12100-1 and 2 : 2004
- EN 60204-1 : 2006
- EN 60 335-2-64 : 2004 Commercial electric kitchen machines

CE (European standards,) NSF (USA)

**Thermal safety**

Motor protected by thermal detector and overload protector.

**Electrical safety**

- On/Off interlock switch is waterproof
- All mechanical parts are ground (earth) connected
- All equipment is 100% tested at the end of assembly (special electrical testing bay)

**Acoustic safety**

The asynchronous motor with direct drive is particularly silent

**Hygiene**

All removable parts can be put in a dishwasher or easily cleaned with hot soapy water (NSF approved)

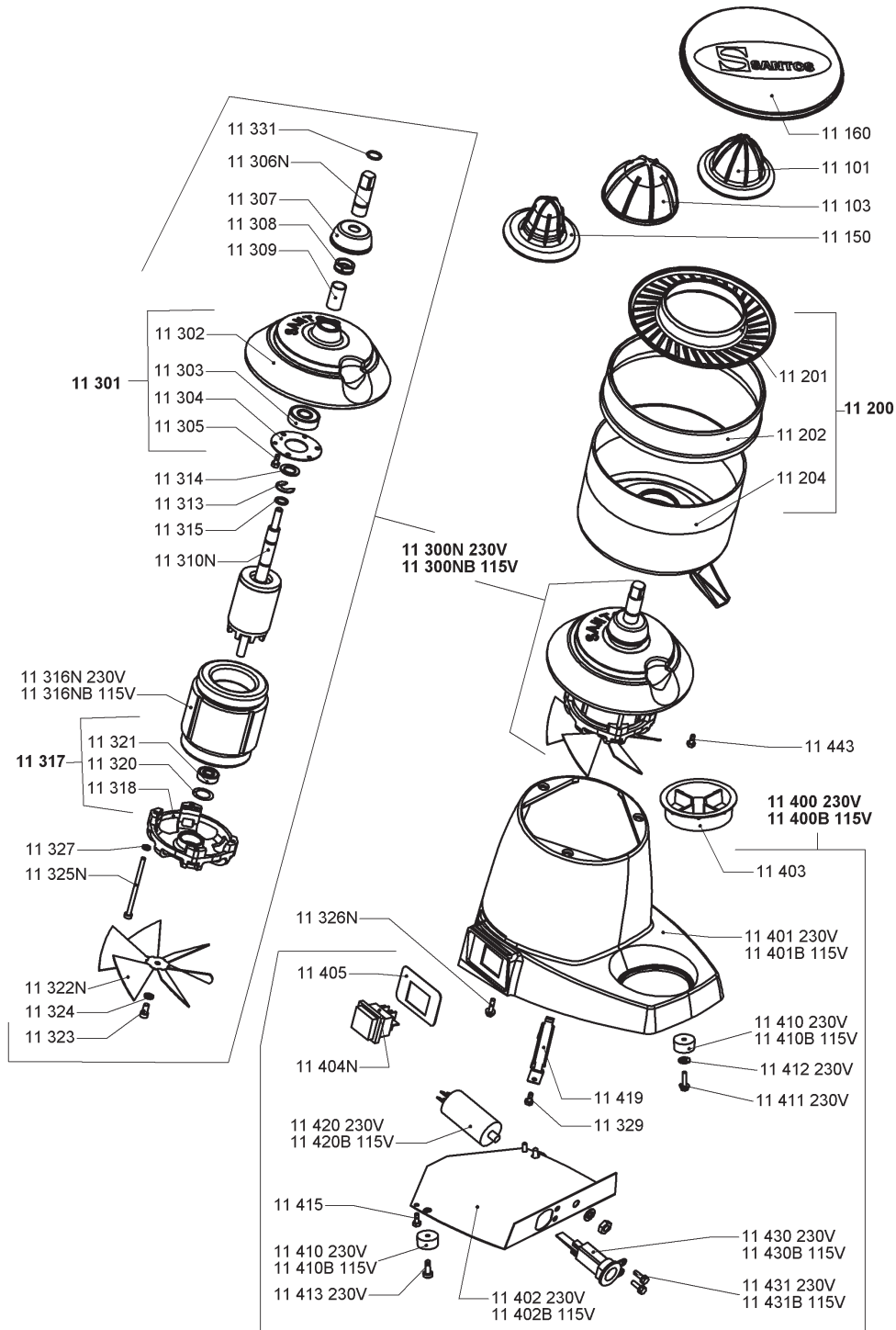
**PRODUCT: 2-YEAR WARRANTY | MOTOR: 5-YEAR WARRANTY**

# "CLASSIC" CITRUS JUICER # 11

The genuine citrus juicer



www.santos.fr



## SANTOS

140-150 Avenue Roger Salengro BP 80 067 – 69511 Vaulx-en-velin Cedex (Lyon) – FRANCE  
 Tel. +33 4 72 37 35 29 – Fax. +33 4 78 26 58 21 – Website: [www.santos.fr](http://www.santos.fr) – Email: [santos@santos.fr](mailto:santos@santos.fr)

Follow us on #SantosAddict social networks   